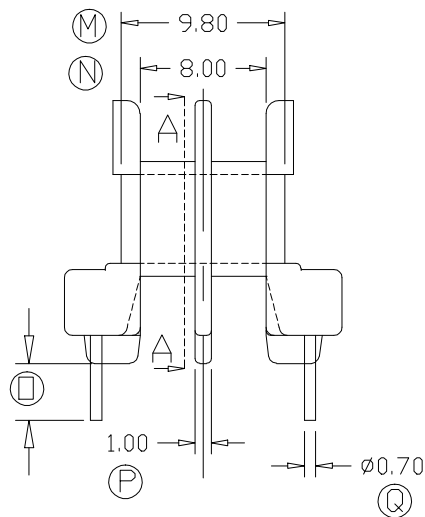
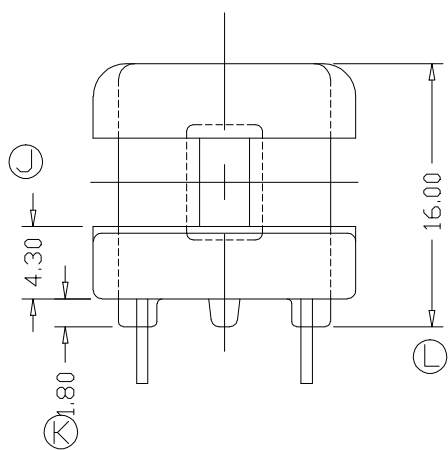
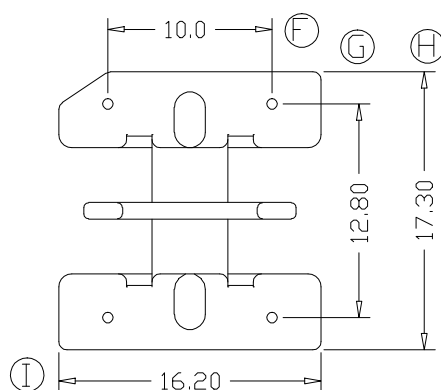
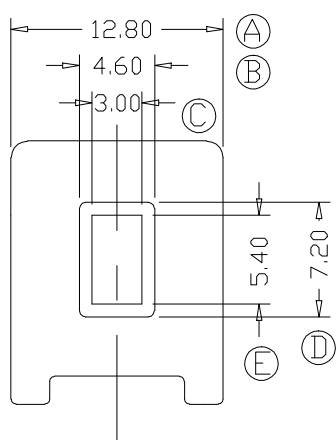
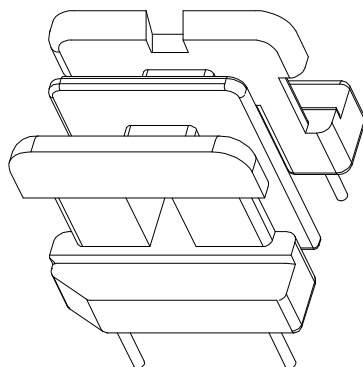


ZX-10.5C



REV.	REVISIONS	REC.	DATE	REV.	REVISIONS	REC.	DATE
1				4			
2				5			
3				6			

DRAWN & DRAFTED BY	LIU WEI QIANG	TOLERANCES		ANGLE:	TITLE: UU-10.5(2+2P)				
		0<L≤4 ±0.1	pin pitch ±0.2	±1°					
CHECKED & APPROVED BY	LI JUN	4<L≤16 ±0.2		UNIT:	BOBBIN MATERIAL:	PHENOLIC	UL REC.	UL 94V-0	
		16<L≤63 ±0.3	MM	PIN MATERIAL:	CP WIRE	PIN TENSION LOAD:	1.2KG MIN		
SCALE:				DATE:	2011.07.03	DRAWING NO.	ZX-10.5C	REV.	A01



智信电子塑胶有限公司
ZHI XIN ELECTRONICS PLASTIC CO., LTD.
 TEL:0769-86389901-2 FAX:0769-86389903

