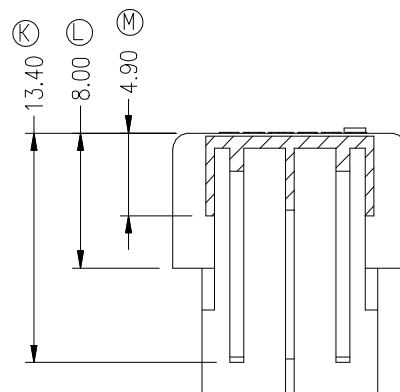
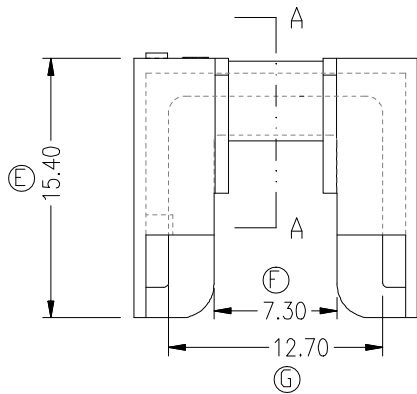
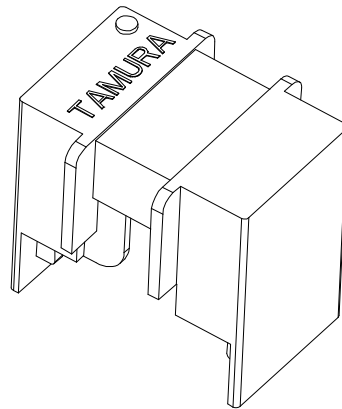
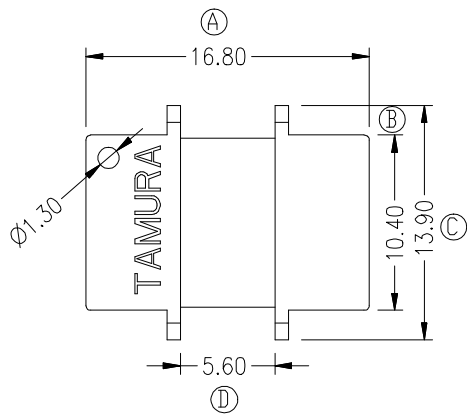
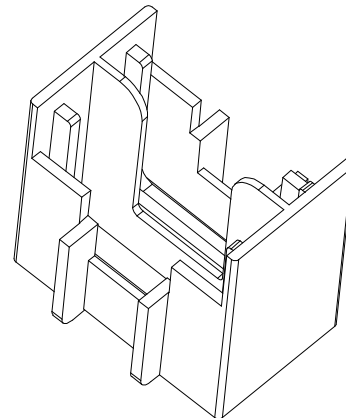
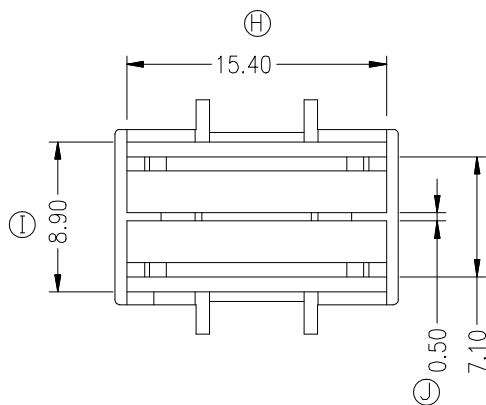


ZX-10.5G



SECTION A-A



对应ZX-10AC

REV.	REVISIONS REC.		DATE	REV.	REVISIONS REC.		DATE		
1				4					
2				5					
3				6					
DRAWN & DRAFTED BY		LIU WEI QIANG		TOLERANCES		ANGLE: $\pm 1^\circ$		TITLE: UU-10.5外壳	
CHECKED & APPROVED BY		ZHANG YONG		0<L≤4 ±0.1 4<L≤16 ±0.2 16<L≤63 ±0.3		pin pitch ±0.2		UNIT: MM	
								BOBBIN MATERIAL: PHENOLIC	
								UL REC. UL 94V-0	
								PIN MATERIAL: CP WIRE	
								PIN TENSION LOAD:	
								SCALE:	
								DATE: 2018.12.08	
								DRAWING NO. ZX-10.5G	
								REV. A01	



智信电子塑胶有限公司  
ZHI XIN ELECTRONICS PLASTIC CO., LTD.  
TEL:0769-86389901-2 FAX:0769-86389903