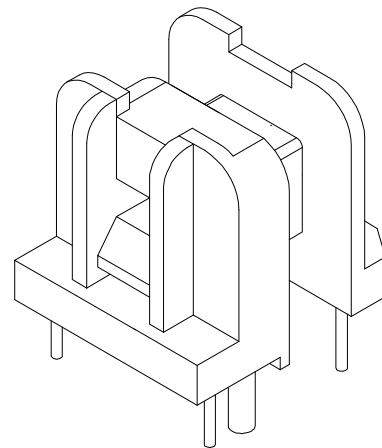
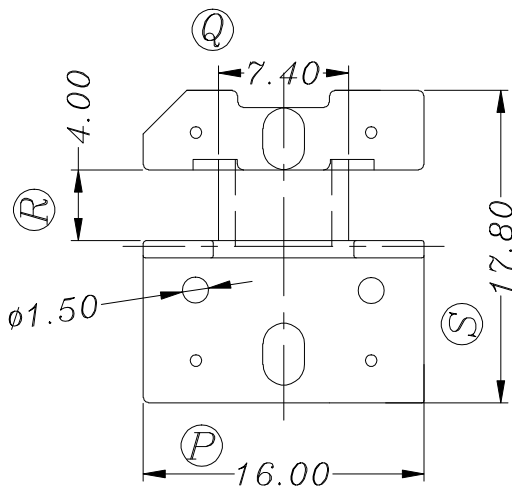
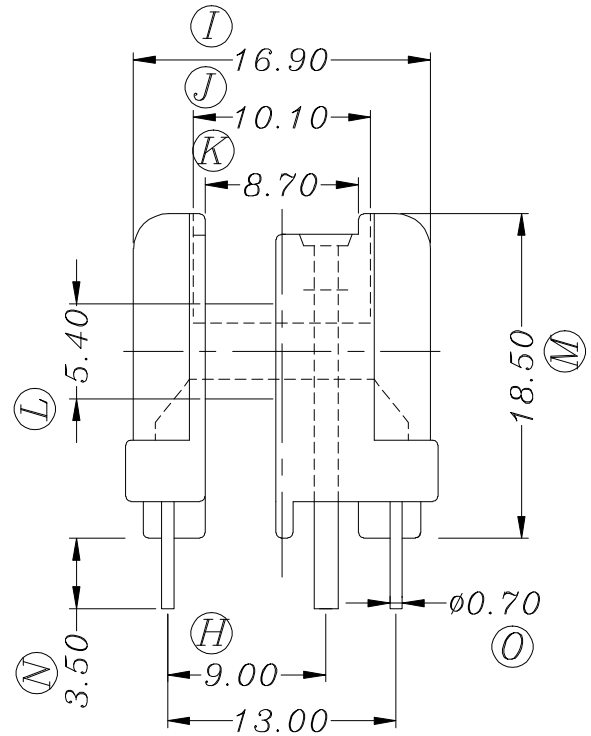
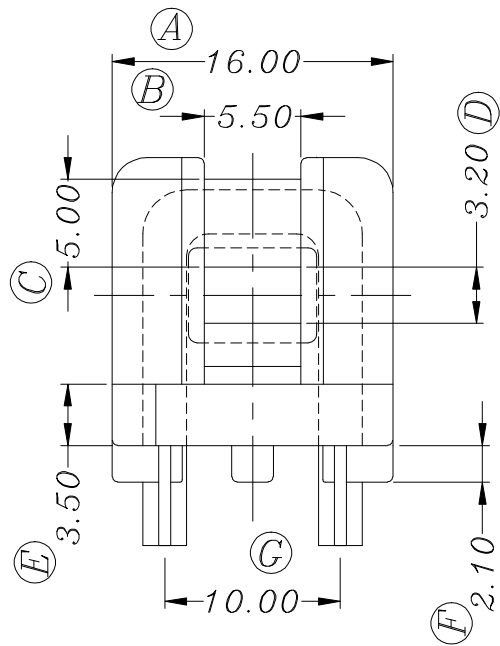


# ZX-10.5K



REV.	REVISIONS REC.		DATE	REV.	REVISIONS REC.		DATE
1				4			
2				5			
3				6			
DRAWN & DRAFTED BY		LIU WEI QIANG	TOLERANCES		ANGLE:	TITLE: UU-10.5(2+2P)	
CHECKED & APPROVED BY		ZHANG YONG	0<L≤4 ±0.1	pin pitch	±1°	BOBBIN MATERIAL: PHENOLIC	
			4<L≤16 ±0.2	±0.2	UNIT: MM	UL REC. UL 94V-0	
			16<L≤63 ±0.3		SCALE:	PIN MATERIAL: CP WIRE	PIN TENSION LOAD: 1.0KG MIN
<b>智信电子塑胶有限公司</b> ZHI XIN ELECTRONICS PLASTIC CO., LTD. TEL:0769-86389901-2 FAX:0769-86389903		DATE: 2018.12.08		DRAWING NO. ZX-10.5K		REV. A01	