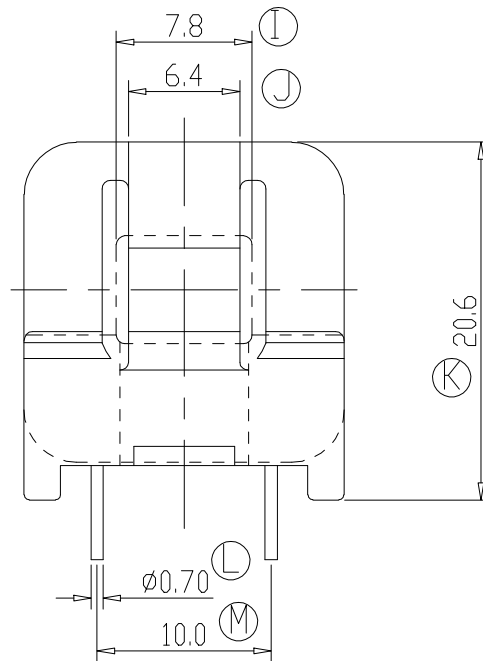
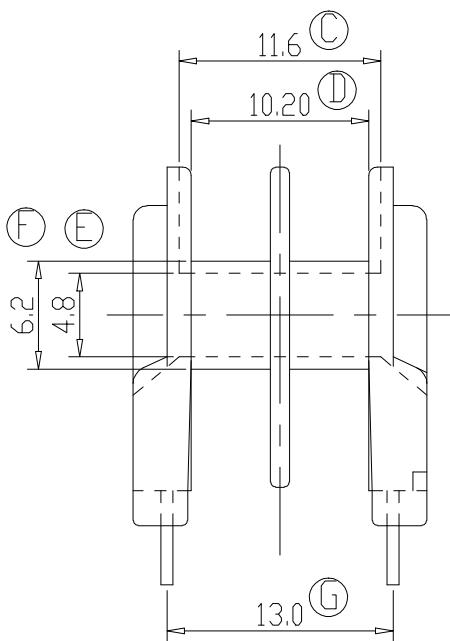
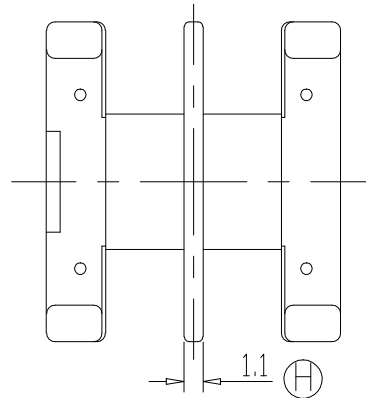
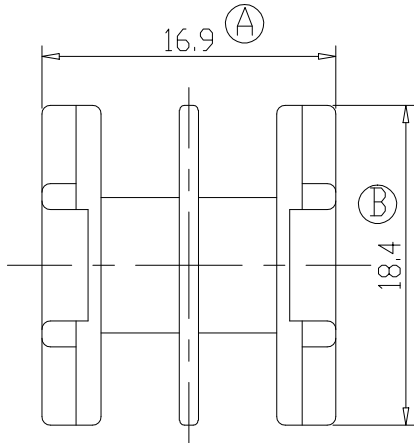
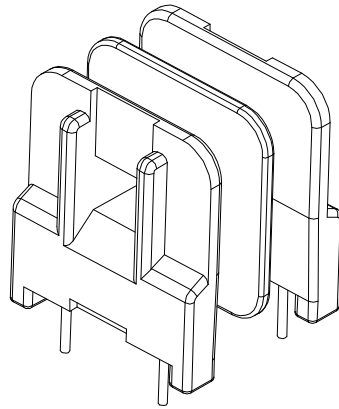


ZX-15.7D



REV.	REVISIONS REC.		DATE	REV.	REVISIONS REC.		DATE
1				4			
2				5			
3				6			
DRAWN & DRAFTED BY	LUOSHENG	TOLERANCES		ANGLE:	TITLE: UU-15.7(2+2P)2S		
CHECKED & APPROVED BY	MA BU JIAN	0<L≤4 ±0.1	pin pitch ±0.2	UNIT:	BOBBIN MATERIAL:	UL REC. UL 94V-0	
		4<L≤16 ±0.2		MM	PIN MATERIAL:	PIN TENSION LOAD: 1.0KG MIN	
		16<L≤63 ±0.3		SCALE:	DATE:	DRAWING NO. ZX-15.7D	REV. A01
智信电子塑胶有限公司 ZHI XIN ELECTRONICS PLASTIC CO., LTD. TEL:0769-86389901-2 FAX:0769-86389903				2009.05.13			