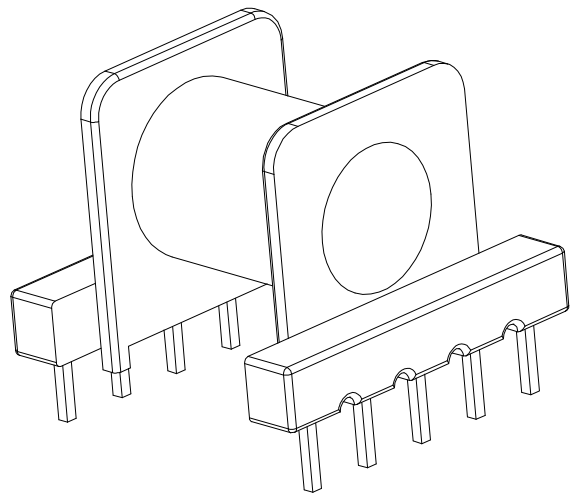
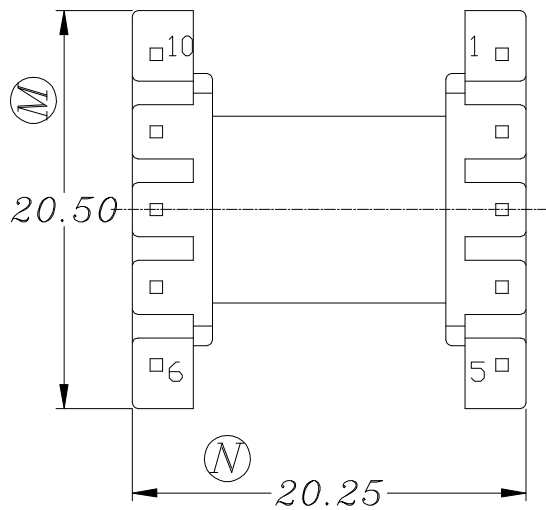
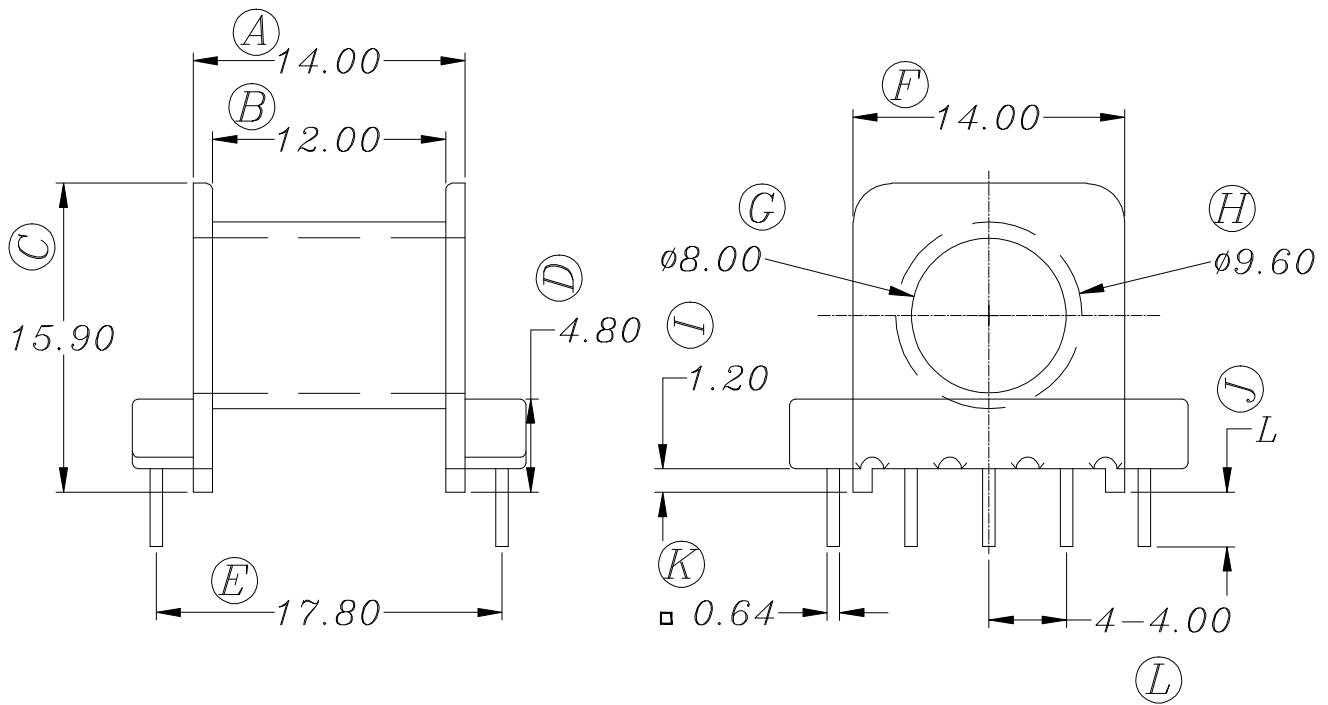


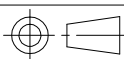
ZX-20CI



| REV. | REVISIONS REC. | | DATE | REV. | REVISIONS REC. | | DATE |
|-----------------------|----------------|---------------|------------------|-----------|----------------|------------------|-------------------|
| 1 | | | | 4 | | | |
| 2 | | | | 5 | | | |
| 3 | | | | 6 | | | |
| DRAWN & DRAFTED BY | | LIU WEI QIANG | TOLERANCES | | ANGLE: | TITLE: | |
| CHECKED & APPROVED BY | | ZHANG YONG | 0 < L ≤ 4 ±0.1 | pin pitch | ±1° | ER-20(5+5P) | |
| | | | 4 < L ≤ 16 ±0.2 | ±0.2 | UNIT: | BOBBIN MATERIAL: | UL REC. |
| | | | 16 < L ≤ 63 ±0.3 | | MM | PHENOLIC | UL 94V-0 |
| | | | | | SCALE: | PIN MATERIAL: | PIN TENSION LOAD: |
| | | | | | | CP WIRE | 1.0KG MIN |
| | | | | | DATE: | DRAWING NO. | REV. |
| | | | | | 2018.12.08 | ZX-20CI | A01 |



智信电子塑胶有限公司
ZHI XIN ELECTRONICS PLASTIC CO., LTD.
 TEL: 0769-86389901-2 FAX: 0769-86389903



DATE: 2018.12.08

DRAWING NO.

ZX-20CI

REV. A01