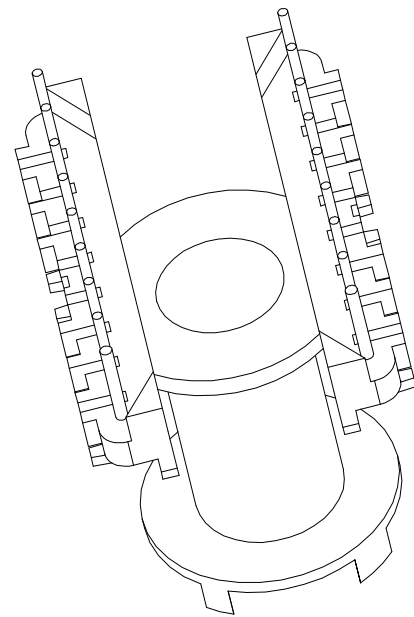
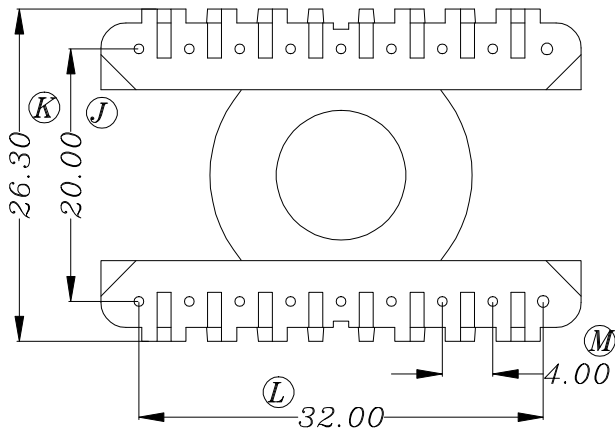
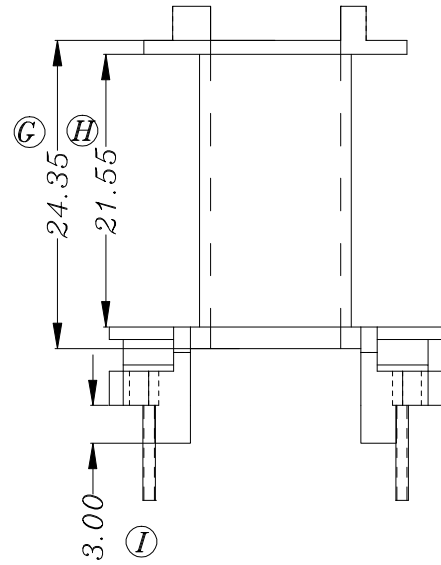
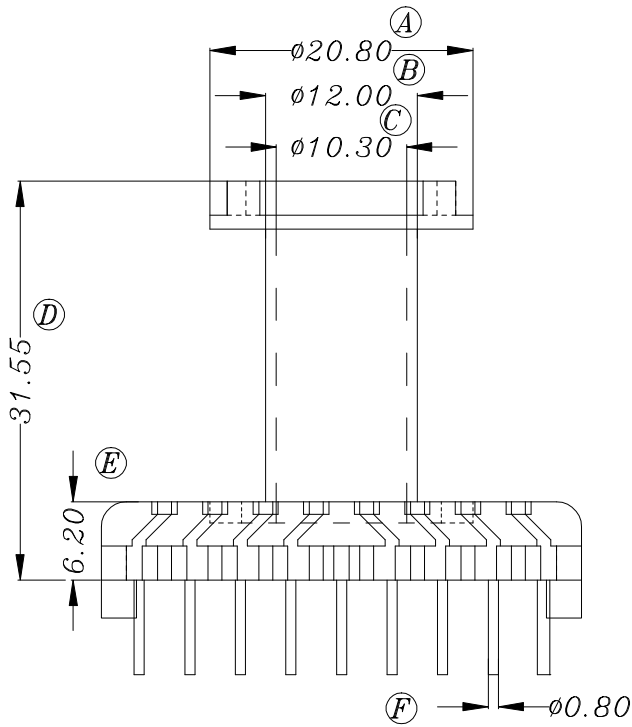


ZX-28AQ



| REV. | REVISIONS REC. | | DATE | REV. | REVISIONS REC. | | DATE |
|-----------------------|----------------|-------------|----------------|------------------|---------------------------|-----------------------------|----------|
| 1 | | | | 4 | | | |
| 2 | | | | 5 | | | |
| 3 | | | | 6 | | | |
| DRAWN & DRAFTED BY | LIU WEI QIANG | TOLERANCES | | ANGLE: | TITLE: ER-28(9+9P) | | |
| CHECKED & APPROVED BY | ZHANG YONG | 0<L≤4 ±0.1 | pin pitch ±0.2 | UNIT: | BOBBIN MATERIAL: PHENOLIC | UL REC. UL 94V-0 | |
| | | 4<L≤16 ±0.2 | | MM | PIN MATERIAL: CP WIRE | PIN TENSION LOAD: 1.2KG MIN | |
| SCALE: | | | | DATE: 2018.12.08 | DRAWING NO. ZX-28AQ | | REV. A01 |



智信电子塑胶有限公司

ZHI XIN ELECTRONICS PLASTIC CO., LTD.
TEL:0769-86389901-2 FAX:0769-86389903

