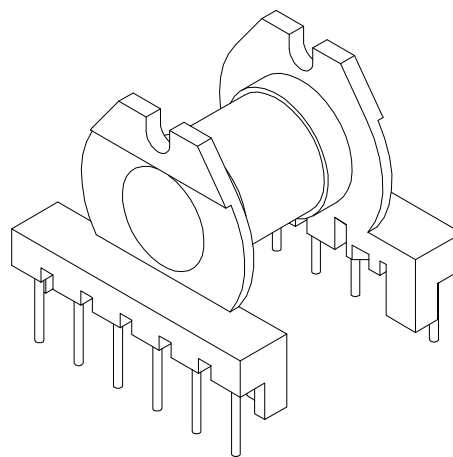
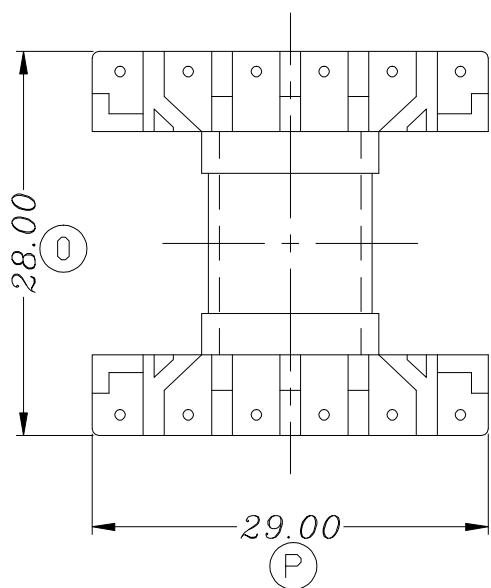
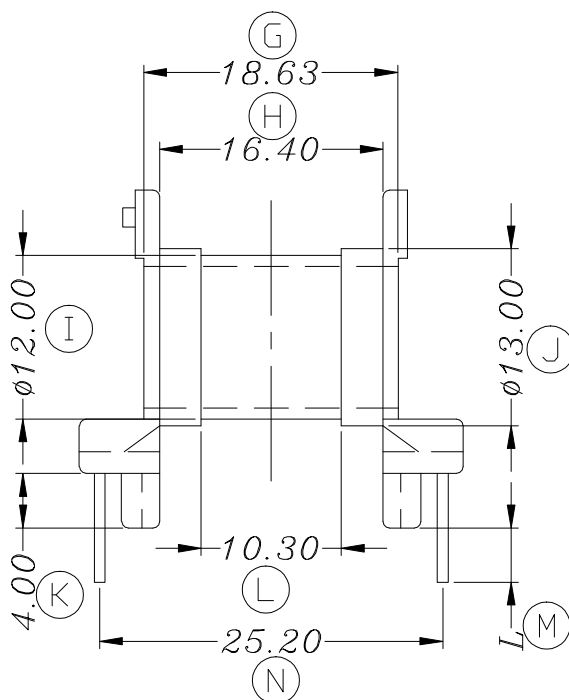
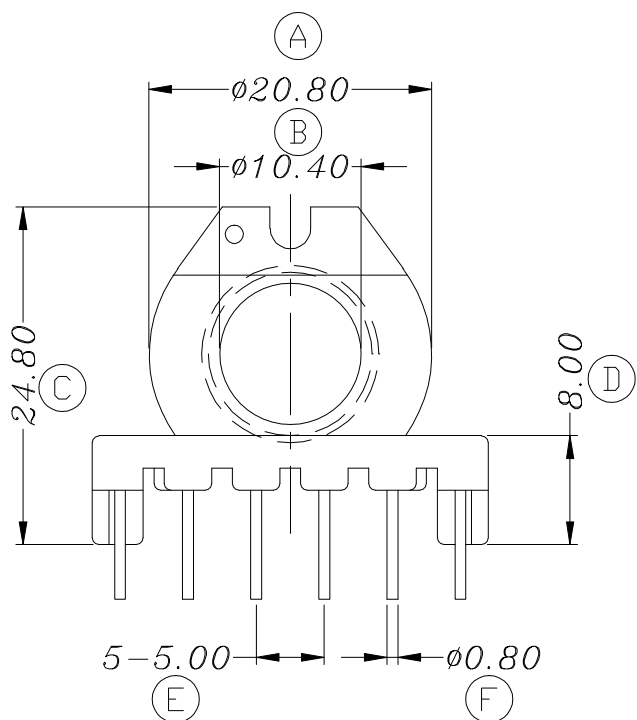


# ZX-28H2



REV.	REVISIONS REC.		DATE	REV.	REVISIONS REC.		DATE
1				4			
2				5			
3				6			
DRAWN & DRAFTED BY		LIU WEI QIANG		TOLERANCES		ANGLE: $\pm 1^\circ$	
CHECKED & APPROVED BY		MA BU JIAN		$0 < L \leq 4 \pm 0.1$ $4 < L \leq 16 \pm 0.2$ $16 < L \leq 63 \pm 0.3$		pin pitch $\pm 0.2$ UNIT: MM SCALE:	
<b>ZXE</b> 智信电子塑胶有限公司 ZHI XIN ELECTRONICS PLASTIC CO., LTD. TEL:0769-86389901-2 FAX:0769-86389903				TITLE: ER-28(6+6P) BOBBIN MATERIAL: PHENOLIC PIN MATERIAL: CP WIRE DATE: 2010.12.08		UL REC. UL 94V-0 PIN TENSION LOAD: 1.2KG MIN DRAWING NO. ZX-28H2 REV. A01	