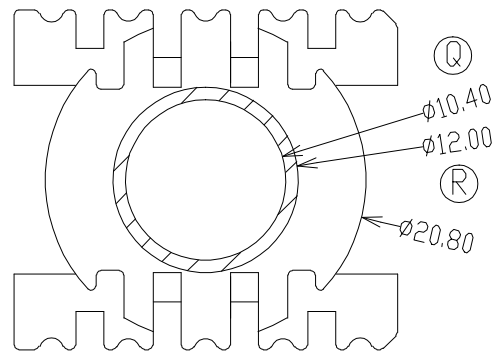
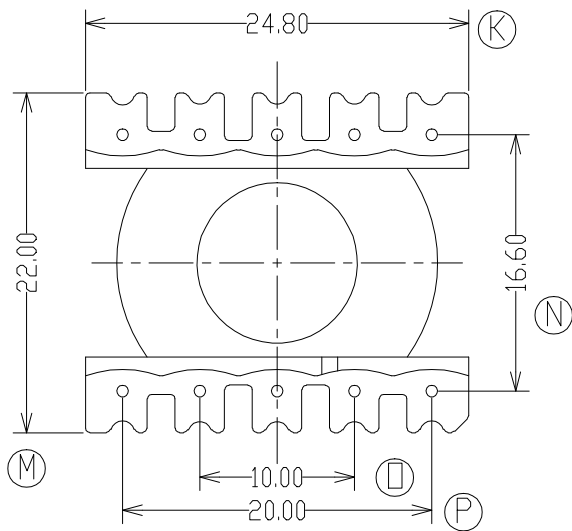
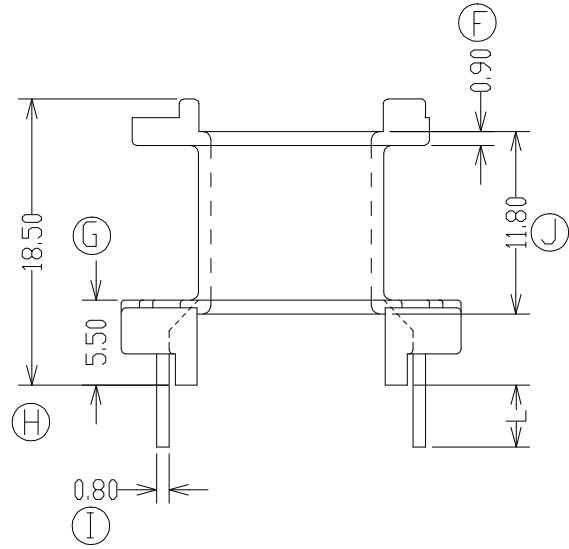
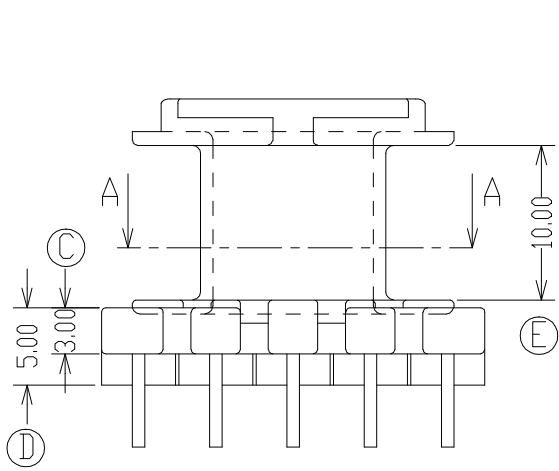
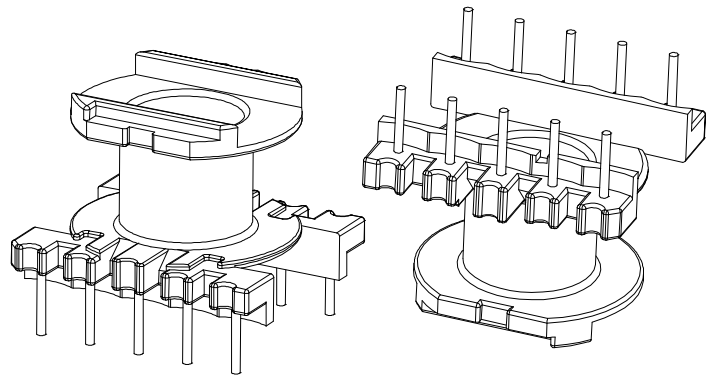
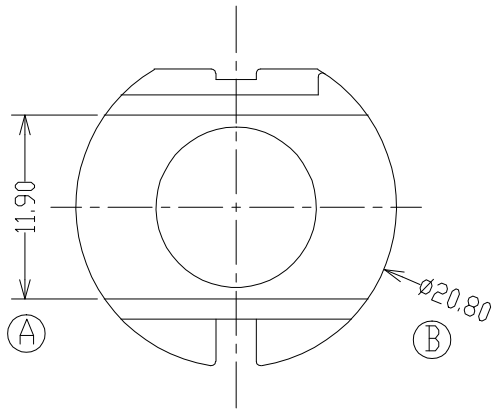


# ZX-28K



SECTION A-A

REV.	REVISIONS	REC.	DATE	REV.	REVISIONS	REC.	DATE
1	B 尺寸由 20.60 更改为 20.80		10/08/12	4			
2				5			
3				6			
DRAWN & DRAFTED BY		LIU WEI QIANG		TITLE:		ER-28(5+5P)	
CHECKED & APPROVED BY		LI JUN		BOBBIN MATERIAL:		PM-9820	
		TOLERANCES		PIN MATERIAL:		CP WIRE	
		0 < L ≤ 4 ±0.1		DATE:		2010.05.05	
		4 < L ≤ 16 ±0.2		DRAWING NO.:		ZX-28K	
		16 < L ≤ 63 ±0.3		REV.:		A01	
		pin pitch ±0.2		SCALE:			
				UNIT:		MM	
				ANGLE:		±1°	
				PIN TENSION LOAD:		1.5KG MIN	
				UL REC.:		UL 94V-0	
				UL REC.:		UL 94V-0	



**智信电子塑胶有限公司**  
**ZHI XIN ELECTRONICS PLASTIC CO., LTD.**  
 TEL: 0769-86389901-2 FAX: 0769-86389903