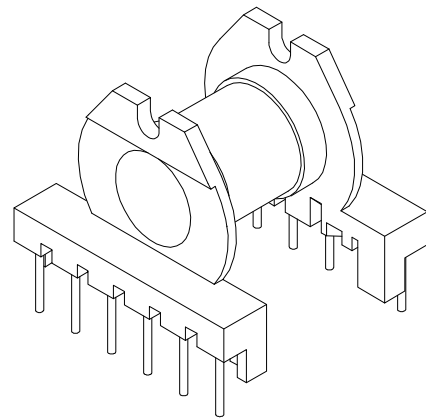
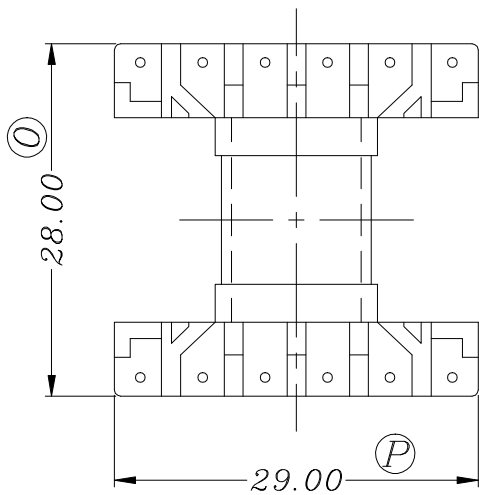
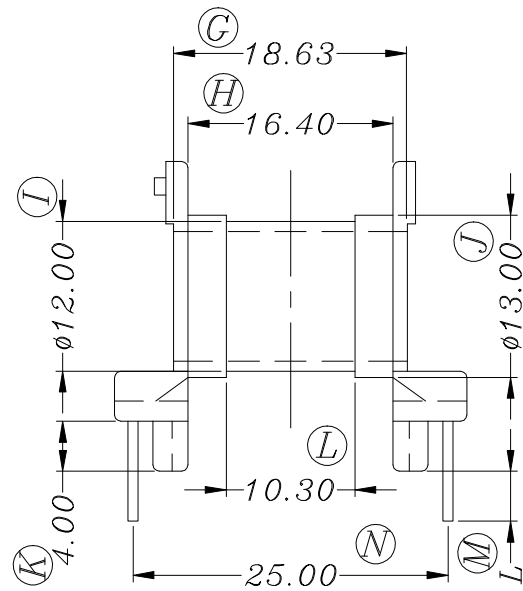
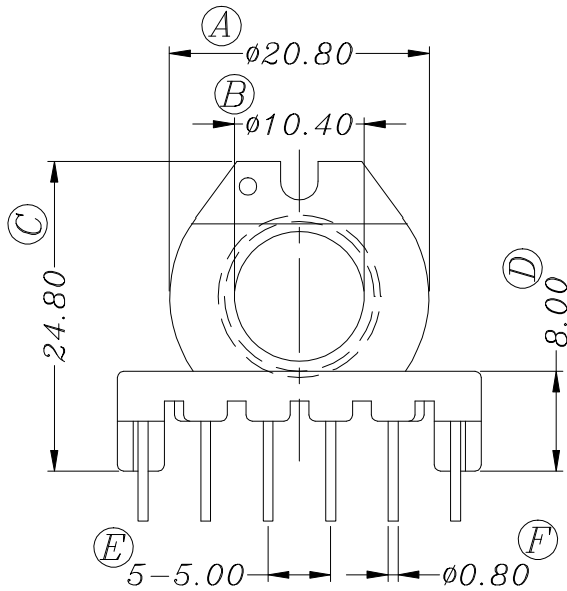


ZX-28T1



REV.	REVISIONS REC.		DATE	REV.	REVISIONS REC.		DATE
1				4			
2				5			
3				6			
DRAWN & DRAFTED BY		LIU WEI QIANG		TOLERANCES		ANGLE: $\pm 1^\circ$	
CHECKED & APPROVED BY		MA BU JIAN		$0.4 \leq 4 \pm 0.10$ $4L \leq 16 \pm 0.20$ $16 \leq 63 \pm 0.30$		PIN PITBH ± 0.2 UNIT: MM SCALE:	
ZXE 智信电子塑胶有限公司 ZHI XIN ELECTRONICS PLASTIC CO., LTD. TEL:0769-86389901-2 FAX:0769-86389903				TITLE: ER-28 (6+6P) BOBBIN MATERIAL: PHENOLIC PIN MATERIAL: CP WIRE		UL REC. UL 94V-0 PIN TENSION LOAD: 1.2kg MIN	
				DATE: 2009.09.13		DRAWING NO. ZX-28T1	
						REV. A01	