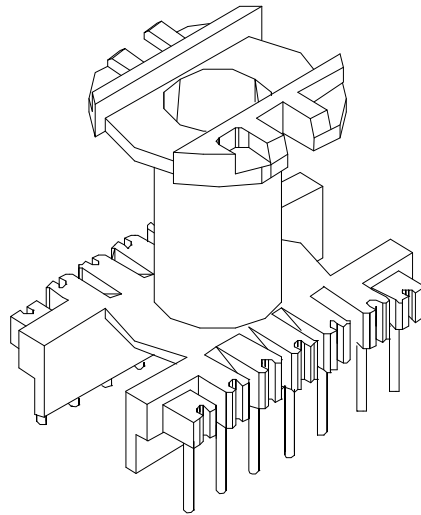
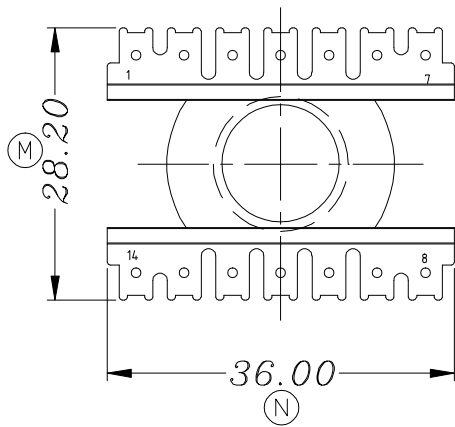
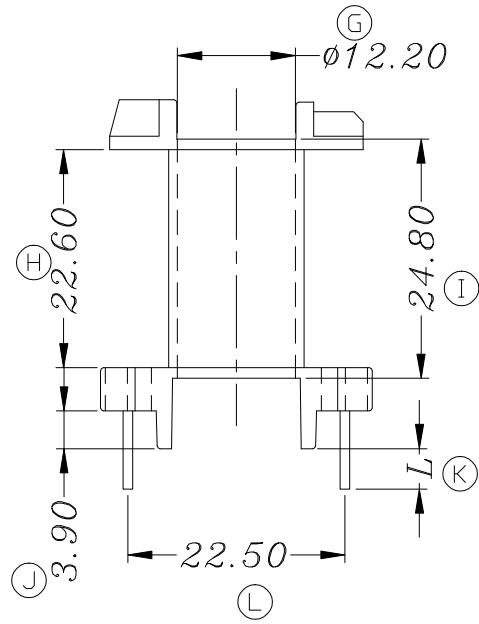
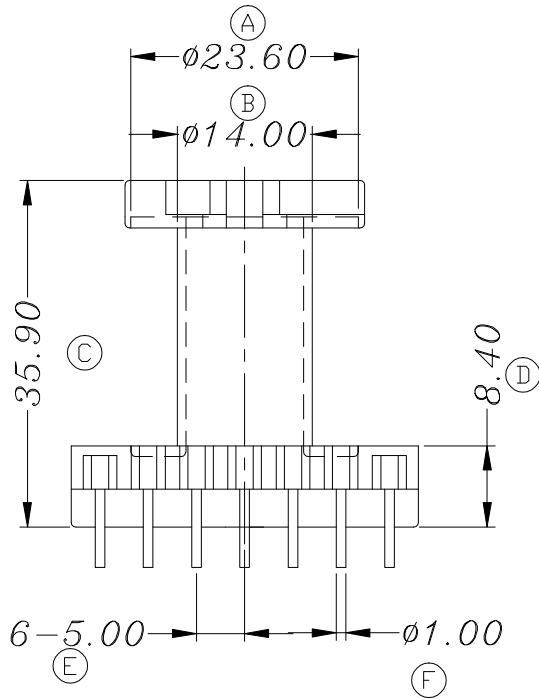


ZX-33E



REV.	REVISIONS REC.		DATE	REV.	REVISIONS REC.		DATE
1				4			
2				5			
3				6			
DRAWN & DRAFTED BY		LIU WEI QIANG		TOLERANCES		ANGLE: $\pm 1^\circ$	
CHECKED & APPROVED BY		MA BU JIAN		$0 < L \leq 4 \pm 0.1$ $4 < L \leq 16 \pm 0.2$ $16 < L \leq 63 \pm 0.3$		pin pitch ± 0.2 UNIT: MM SCALE:	
智信电子塑胶有限公司 ZHI XIN ELECTRONICS PLASTIC CO., LTD. TEL:0769-86389901-2 FAX:0769-86389903				TITLE: ER-33(7+7P) BOBBIN MATERIAL: PHENOLIC PIN MATERIAL: CP WIRE		UL REC. UL 94V-0 PIN TENSION LOAD: 1.5KG MIN	
				DATE: 2005.08.26		DRAWING NO. ZX-33E	
						REV. A01	