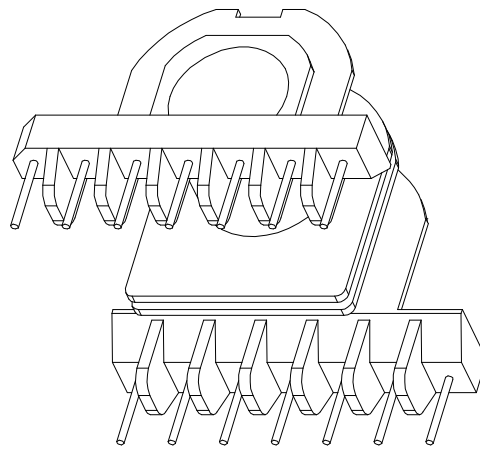
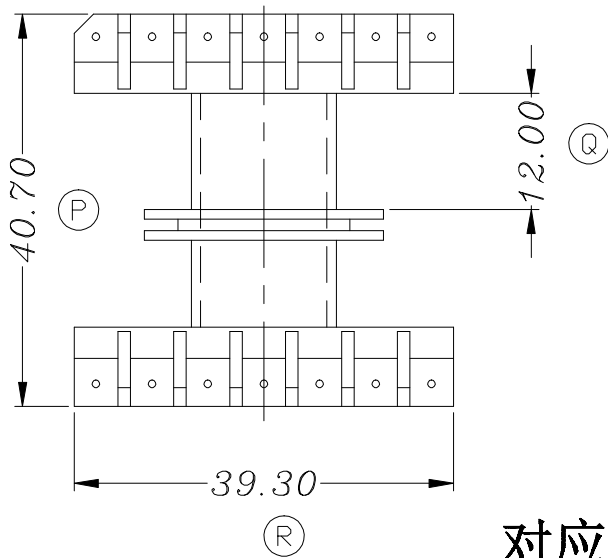
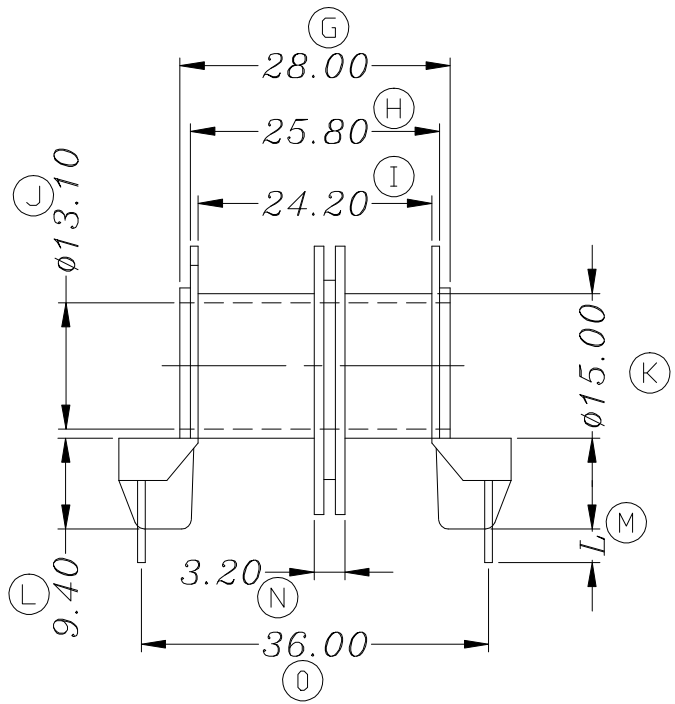
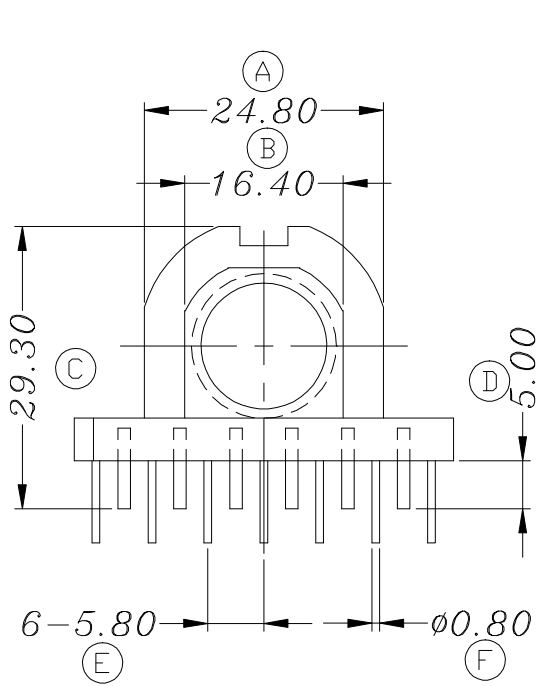


ZX-39B



对应的ZX-39B1

REV.	REVISIONS REC.		DATE	REV.	REVISIONS REC.		DATE
1				4			
2				5			
3				6			
DRAWN & DRAFTED BY		LIU WEI QIANG		TOLERANCES		ANGLE: $\pm 1^\circ$	
CHECKED & APPROVED BY		MA BU JIAN		0 < L ≤ 4 ±0.1 4 < L ≤ 16 ±0.2 16 < L ≤ 63 ±0.3		pin pitch ±0.2	
TITLE:		ER-39(7+7P)2S					
BOBBIN MATERIAL:		PHENOLIC				UL REC. UL 94V-0	
PIN MATERIAL:		CP WIRE				PIN TENSION LOAD: 1.2KG MIN	
SCALE:				DATE: 2006.08.06		DRAWING NO. ZX-39B	
REV. A01							



智信电子塑胶有限公司

ZHI XIN ELECTRONICS PLASTIC CO., LTD.
TEL:0769-86389901-2 FAX:0769-86389903