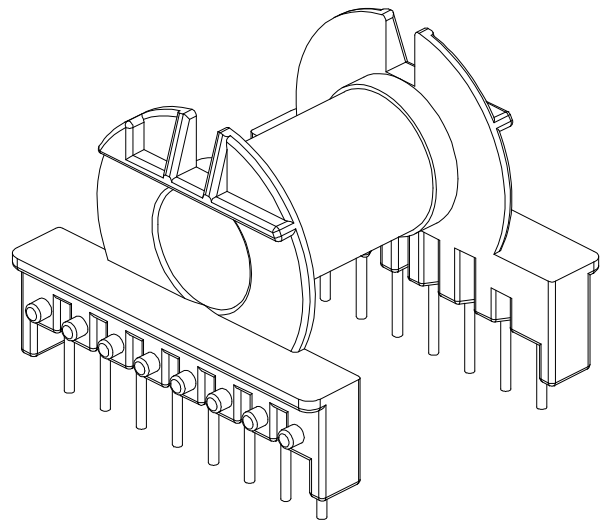
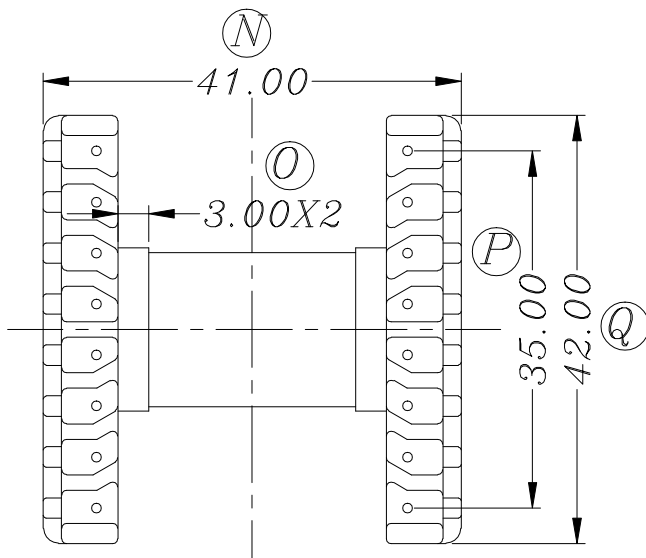
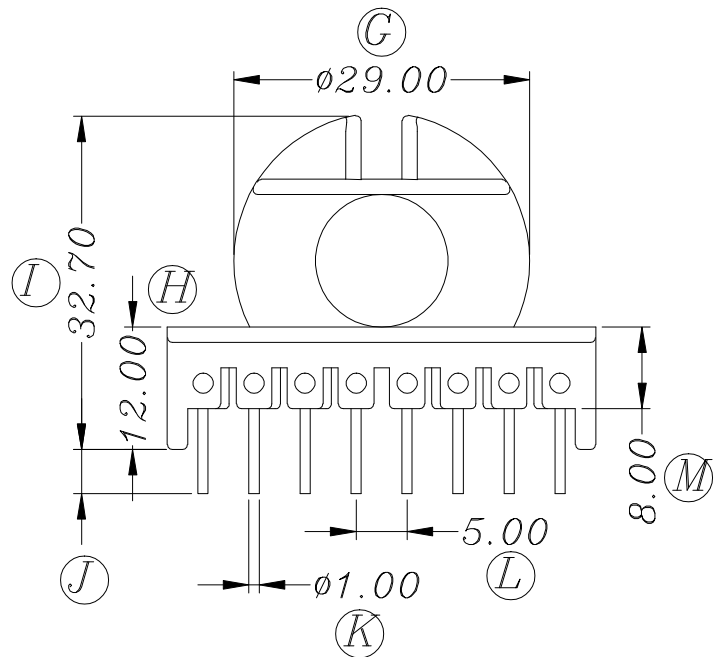
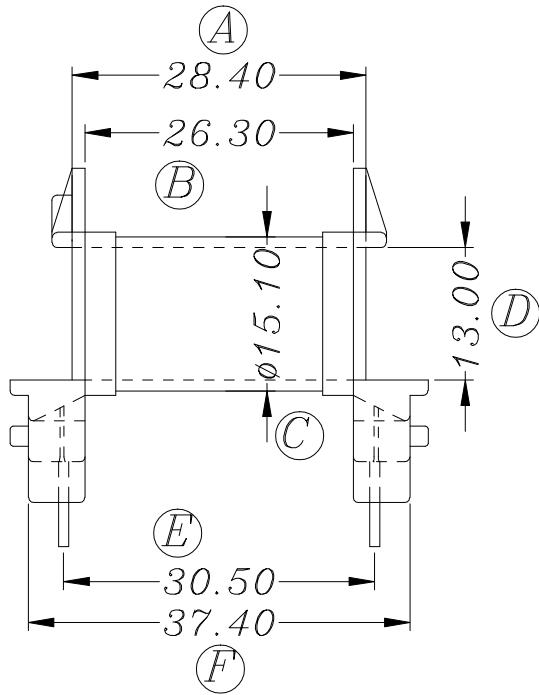


# ZX-39E



REV.	REVISIONS REC.		DATE	REV.	REVISIONS REC.		DATE
1				4			
2				5			
3				6			
DRAWN & DRAFTED BY	LIU WEI QIANG	TOLERANCES		ANGLE:	TITLE: <b>ER-39 (8+8P)</b>		
CHECKED & APPROVED BY	MA BU JIAN	0<L≤ 4 ±0.1	pin pitch	±1°	BOBBIN MATERIAL:	PHENOLIC	UL REC. UL 94V-0
		4<L≤ 16 ±0.2	±0.2	UNIT:	MM	PIN MATERIAL:	CP WIRE
		16<L≤ 63 ±0.3		SCALE:			PIN TENSION LOAD: 1.6KG MIN.
<b>智信电子塑胶有限公司</b> ZHI XIN ELECTRONICS PLASTIC CO., LTD. TEL:0769-86389901-2 FAX:0769-86389903				DATE:	2004.09.19	DRAWING NO.	ZX-39E
						REV.	A01