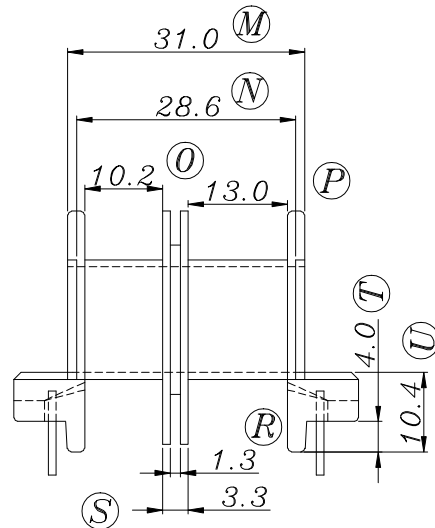
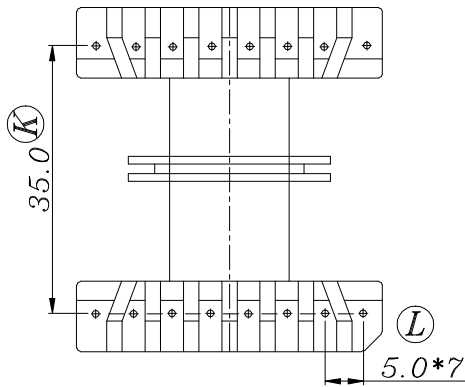
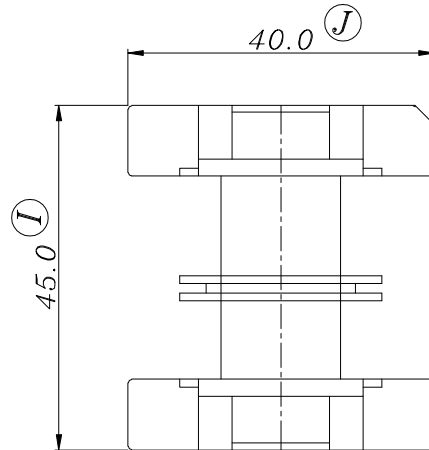
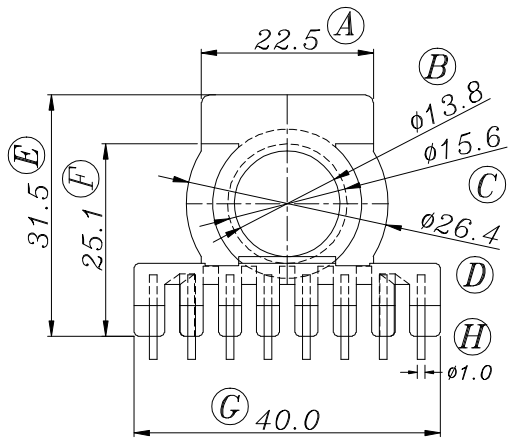
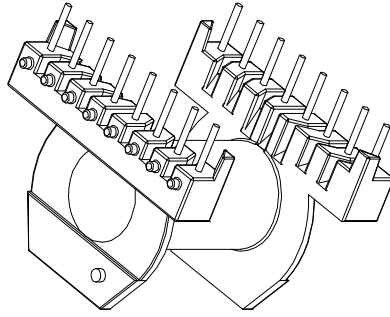


ZX-40S



REV.	REVISIONS	REC.	DATE	REV.	REVISIONS	REC.	DATE		
1				4					
2				5					
3				6					
DRAWN & DRAFTED BY		LIU WEI QIANG		TOLERANCES		ANGLE: ±1°		TITLE: ER-40(8+8P)	
CHECKED & APPROVED BY		ZHANG YONG		0<L≤4 ±0.1 4<L≤16 ±0.2 16<L≤63 ±0.3		pin pitch ±0.2		UNIT: MM	
SCALE:		智信电子塑胶有限公司		PIN MATERIAL:		BOBBIN MATERIAL:		UL REC. UL 94V-0	
DATE: 2018.12.08		ZHI XIN ELECTRONICS PLASTIC CO., LTD.		CP WIRE		PHENOLIC		PIN TENSION LOAD: 1.5KG MIN	
DRAWING NO. ZX-40S		TEL:0769-86389901-2 FAX:0769-86389903		DATE: 2018.12.08		DRAWING NO. ZX-40S		REV. A01	