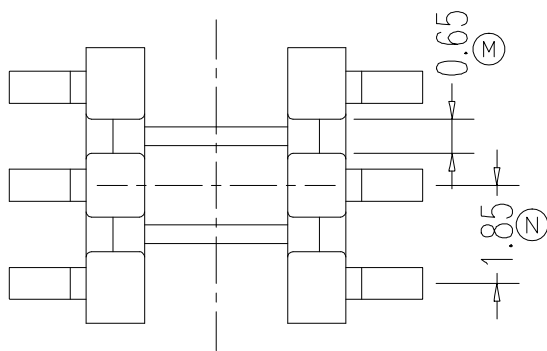
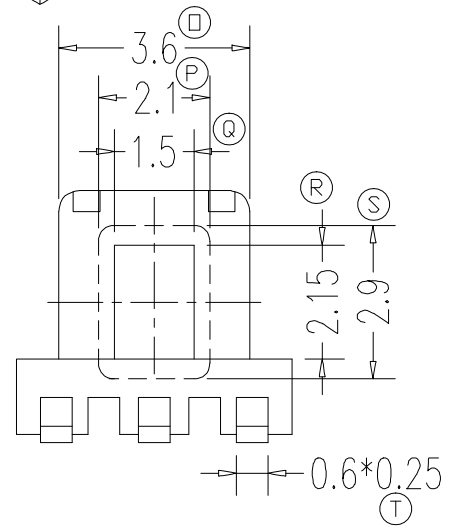
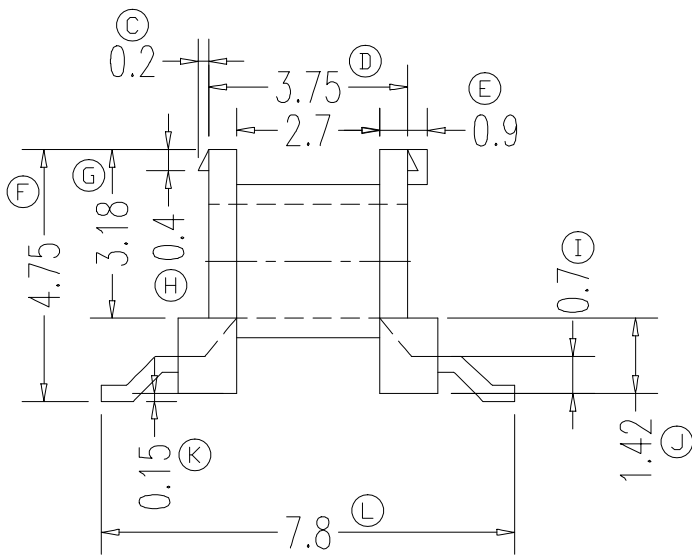
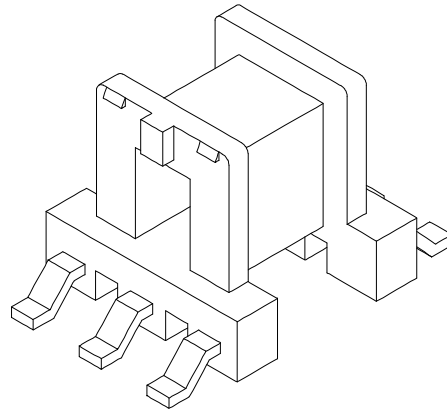
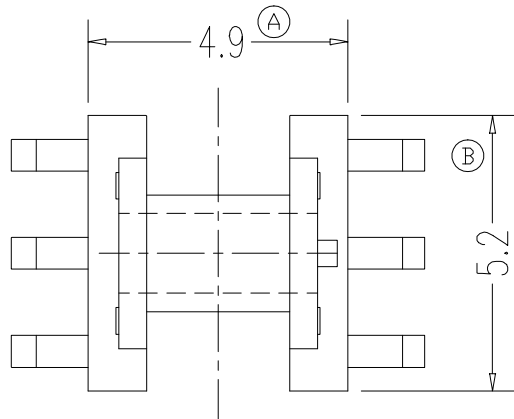


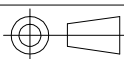
# ZXS-5A



REV.	REVISIONS REC.		DATE	REV.	REVISIONS REC.		DATE
1				4			
2				5			
3				6			
DRAWN & DRAFTED BY		LIU WEI QIANG		TOLERANCES		ANGLE: $\pm 1^\circ$	
CHECKED & APPROVED BY		MA BU JIAN		$0 < L \leq 4 \pm 0.1$ $4 < L \leq 16 \pm 0.2$ $16 < L \leq 63 \pm 0.3$		UNIT: MM SCALE:	
				pin pitch $\pm 0.2$		TITLE: <b>EE-5 (3+3P)</b>	
						BOBBIN MATERIAL: PHENOLIC	
						UL REC. UL 94V-0	
						PIN MATERIAL: CP WIRE	
						PIN TENSION LOAD: 1.0KG MIN	
				DATE: 2013.08.31		DRAWING NO. <b>ZXS-5A</b>	
						REV. A01	



**智信电子塑胶有限公司**  
 ZHI XIN ELECTRONICS PLASTIC CO., LTD.  
 TEL: 0769-86389901-2 FAX: 0769-86389903



DATE: 2013.08.31

DRAWING NO.

**ZXS-5A**

REV. A01