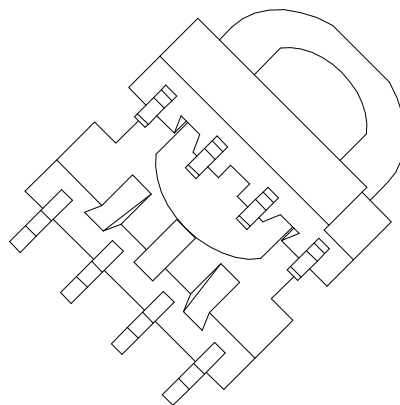
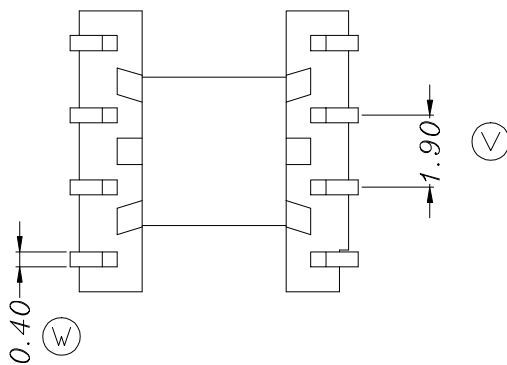
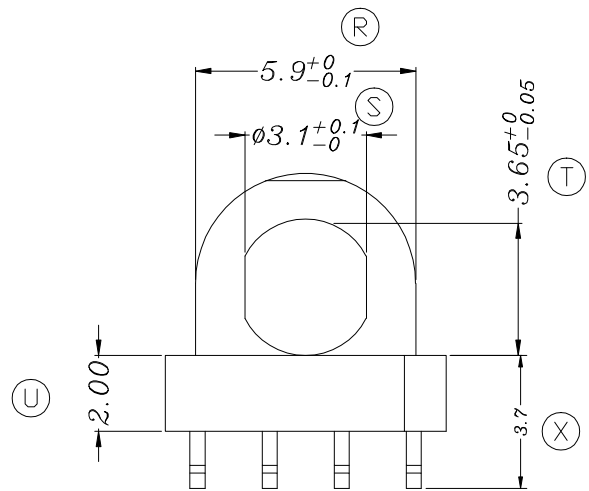
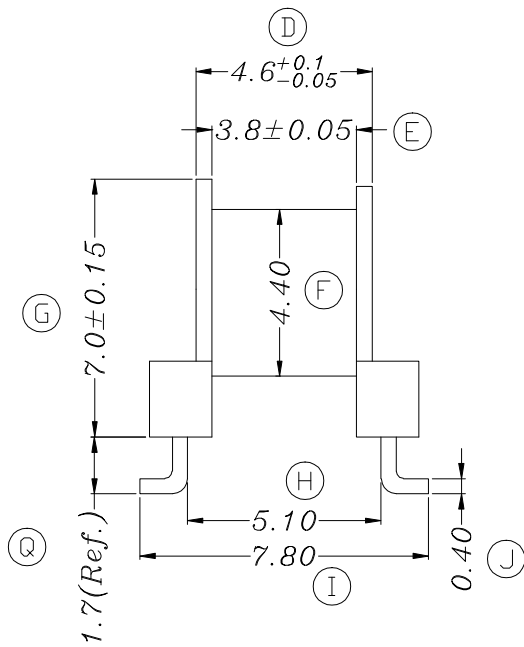
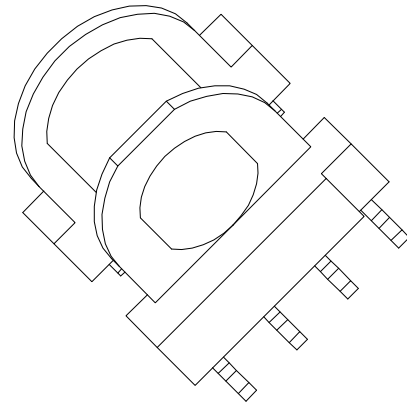
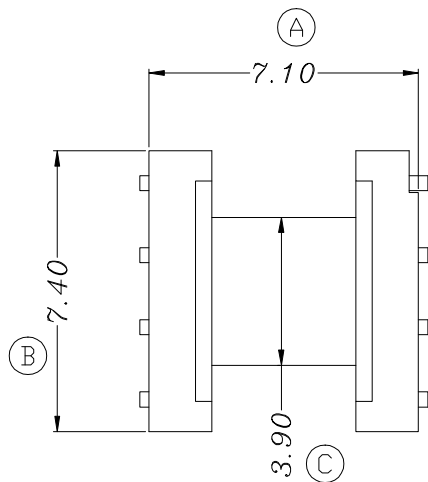


ZXS-6E

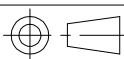


REV.	REVISIONS REC.		DATE	REV.	REVISIONS REC.		DATE		
1				4					
2				5					
3				6					
DRAWN & DRAFTED BY		LIU WEI QIANG		TOLERANCES		ANGLE: ±1°		TITLE: EPO-6.5(4+4P)	
CHECKED & APPROVED BY		MA BU JIAN		0<L≤4 ±0.1 4<L≤16 ±0.2 16<L≤63 ±0.3		pin pitch ±0.2		UNIT: MM	
								BOBBIN MATERIAL: PM-9630	
								UL REC. UL 94V-0	
								PIN MATERIAL: CP WIRE	
								PIN TENSION LOAD: 0.9KG MIN	
								SCALE: DATE: 2013.07.27	
								DRAWING NO. ZXS-6E	
								REV. A01	



智信电子塑胶有限公司

ZHI XIN ELECTRONICS PLASTIC CO., LTD.
TEL:0769-86389901-2 FAX:0769-86389903



DATE: 2013.07.27

DRAWING NO.

ZXS-6E

REV. A01