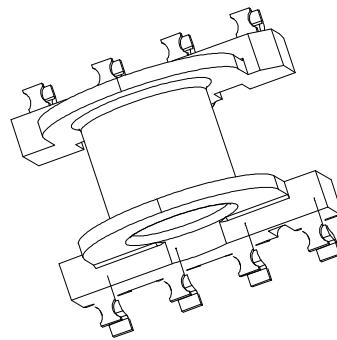
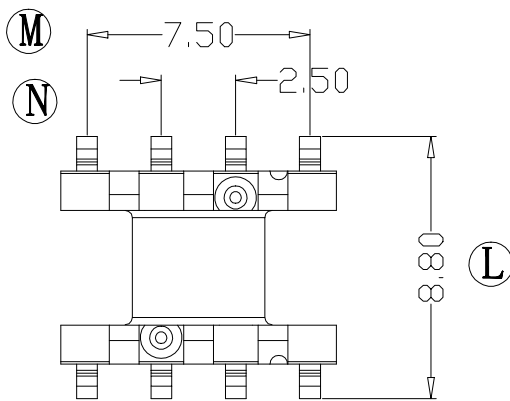
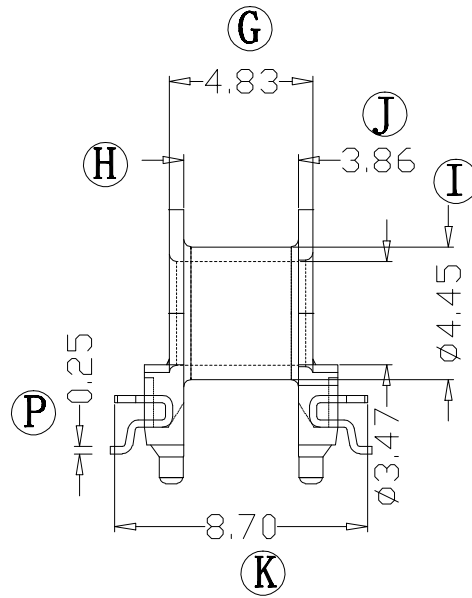
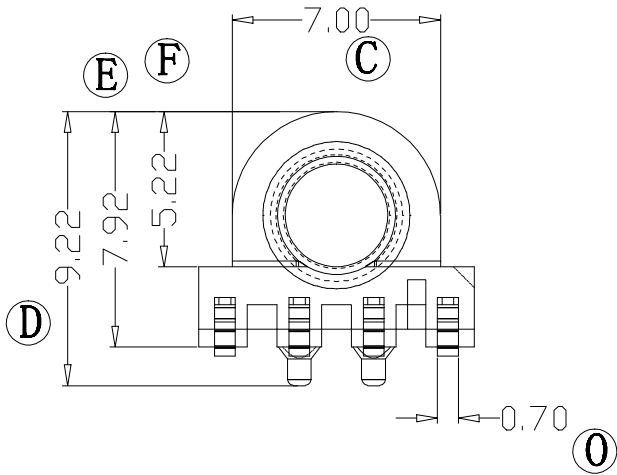
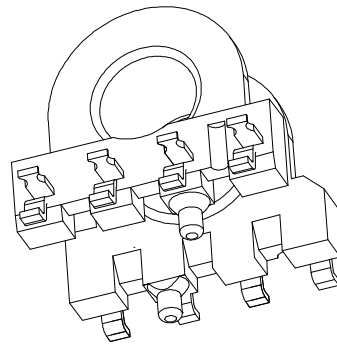
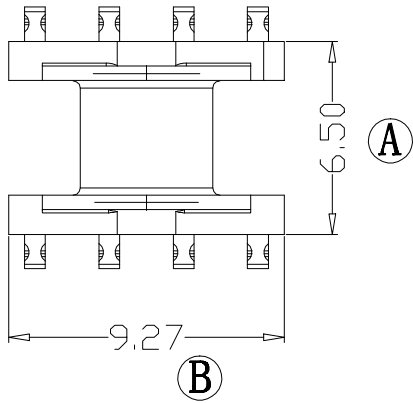


# ZXS-7E



REV.	REVISIONS REC.	DATE	REV.	REVISIONS REC.	DATE
1	端子表面镀镍 1-2um, 镀锡5-10um; E, F, D尺寸要避开进料口位(进料口位设计在一边)		4		
2			5		
3			6		
DRAWN & DRAFTED BY		LIU WEI QIANG		TITLE: EP-7(4+4P)	
CHECKED & APPROVED BY		MA BU JIAN		BOBBIN MATERIAL: PM-9630	
		TOLERANCES		UL REC. UL 94V-0	
		0 < L ≤ 4 ±0.1		PIN TENSION LOAD: 0.7KG MIN	
		4 < L ≤ 16 ±0.2			
		16 < L ≤ 63 ±0.3			
		pin pitch ±0.2			
		ANGLE: ±1°			
		UNIT: MM			
		SCALE:		PIN MATERIAL: CP WIRE	
				DATE: 2018.08.11	
				DRAWING NO. ZXS-7E	
				REV. A02	