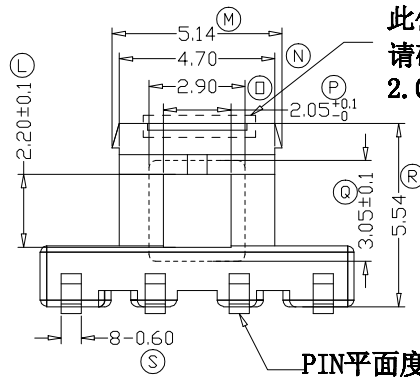
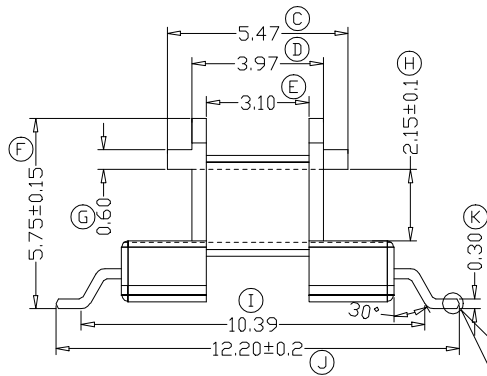
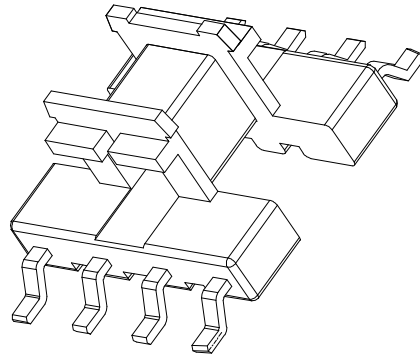
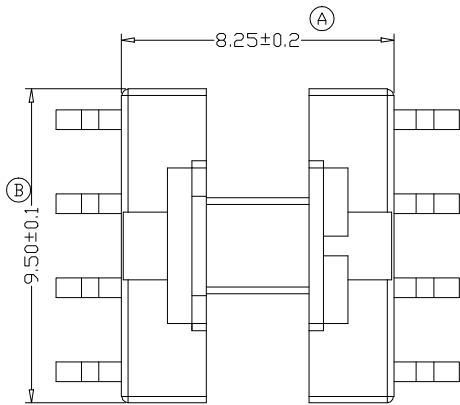
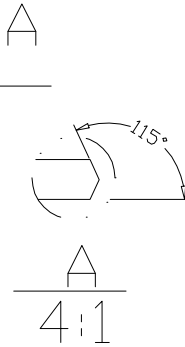
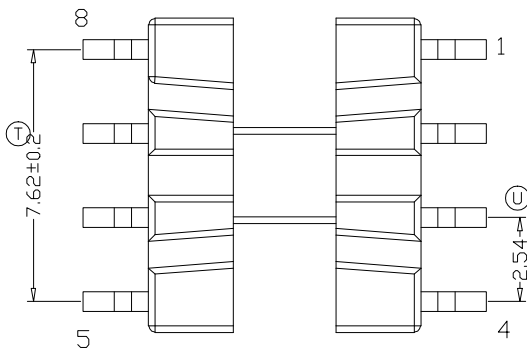


# ZXS-8.8A



此位置需要3.0X0.2  
请确认,入胶位为  
2.0

PIN平面度±0.1



REV.	REVISIONS	REC.	DATE	REV.	REVISIONS	REC.	DATE		
1				4					
2				5					
3				6					
DRAWN & DRAFTED BY		LIU WEI QIANG		TOLERANCES		ANGLE: ±1°		TITLE: EE-8.8(4+4P)	
CHECKED & APPROVED BY		MA BU JIAN		.X ±0.15 .XX ±0.1 .XXX ±0.05		pin pitch ±0.1		UNIT: MM	
				SCALE:		PIN MATERIAL: CP WIRE		BOBBIN MATERIAL: PM-9630	
								UL REC. UL 94V-0	
								PIN TENSION LOAD: 1.0KG MIN	
						DATE: 2014.02.11		DRAWING NO. ZXS-8.8A	
								REV. A01	



**智信电子塑胶有限公司**  
ZHI XIN ELECTRONICS PLASTIC CO., LTD.  
TEL:0769-86389901-2 FAX:0769-86389903