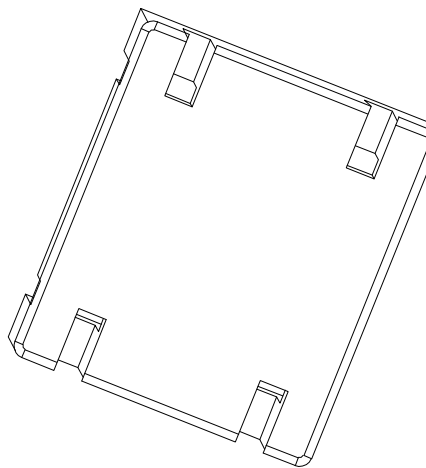
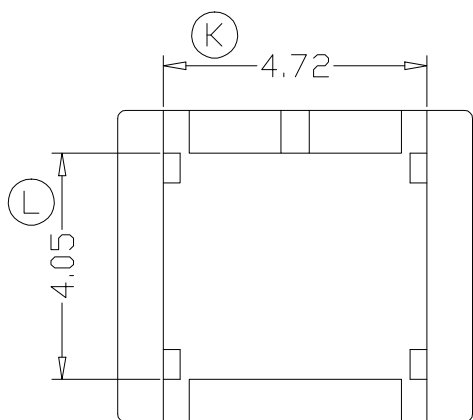
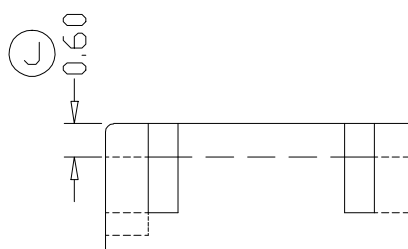
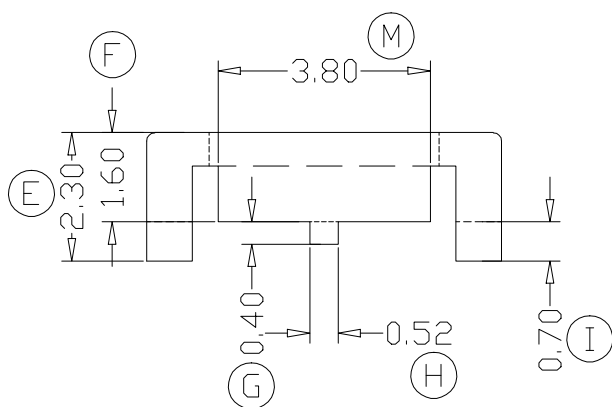
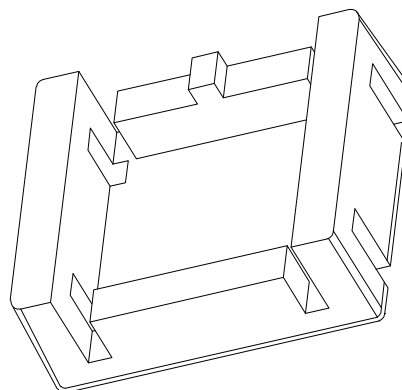
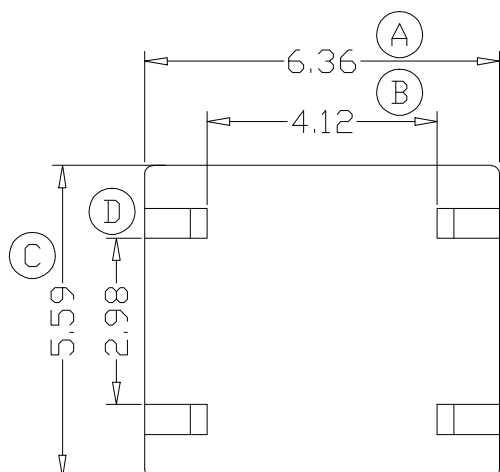


ZXS-8. 8A1



对应的ZXS-8. 8A

REV.	REVISIONS	REC.	DATE	REV.	REVISIONS	REC.	DATE
1				4			
2				5			
3				6			
DRAWN & DRAFTED BY		LIU WEI QIANG		TOLERANCES		ANGLE: $\pm 1^\circ$	
CHECKED & APPROVED BY		MA BU JIAN		.X ± 0.15		TITLE: EE-8. 8	
				.XX ± 0.10		BOBBIN MATERIAL: LCP	
				.XXX ± 0.05		UL REC. UL 94V-0	
				pin pitch		PIN TENSION LOAD:	
				UNIT: MM			
				SCALE:		PIN MATERIAL:	
				DATE: 2014.02.11		DRAWING NO. ZXS-8. 8A1	
						REV. A01	



智信电子塑胶有限公司
 ZHI XIN ELECTRONICS PLASTIC CO., LTD.
 TEL:0769-86389901-2 FAX:0769-86389903