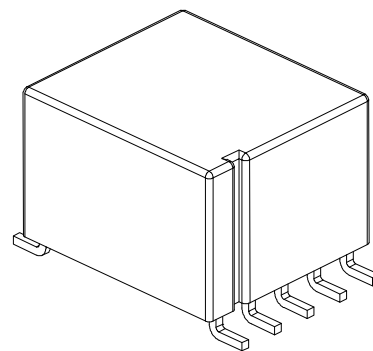
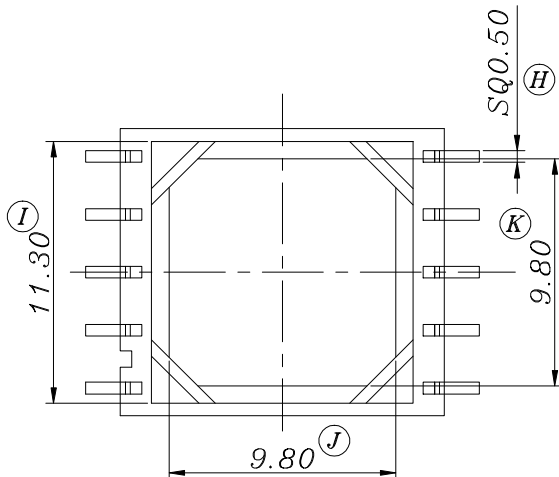
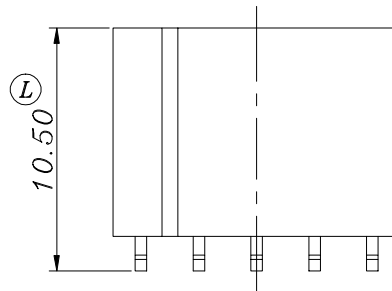
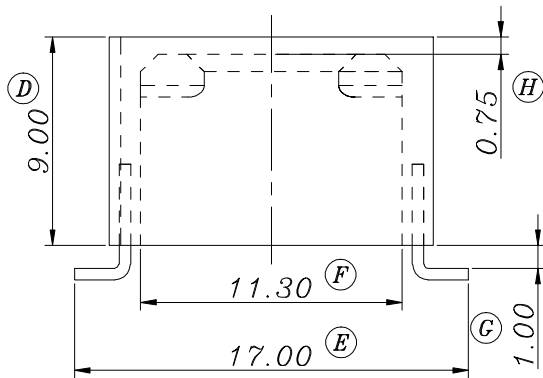
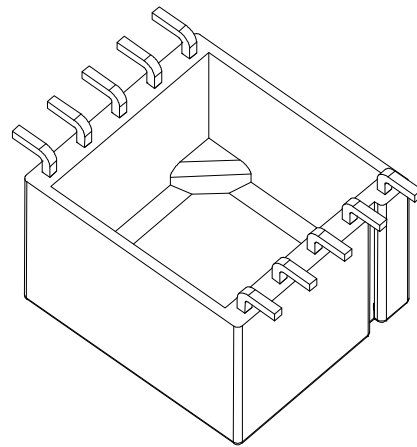
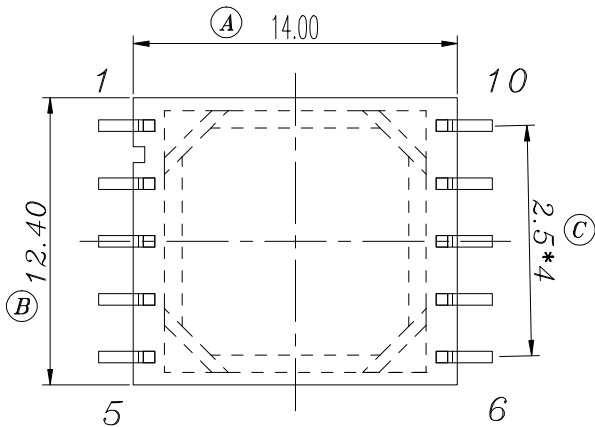


ZXS-10B



REV.	REVISIONS REC.		DATE	REV.	REVISIONS REC.		DATE
1				4			
2				5			
3				6			
DRAWN & DRAFTED BY		LIU WEI QIANG	TOLERANCES		ANGLE:	TITLE: SMD CASE (5+5P)	
CHECKED & APPROVED BY		MA BU JIAN	$0 < L \leq 4 \pm 0.1$ $4 < L \leq 16 \pm 0.2$ $16 < L \leq 63 \pm 0.3$	pin pitch ± 0.2	$\pm 1^\circ$	BOBBIN MATERIAL: PPS	
					UNIT: MM	UL REC. UL 94V-0	
					SCALE:	PIN MATERIAL: CP WIRE	PIN TENSION LOAD: 1.0KG MIN
智信电子塑胶有限公司 ZHI XIN ELECTRONICS PLASTIC CO., LTD. TEL:0769-86389901-2 FAX:0769-86389903				DATE: 2008.06.08	DRAWING NO. ZXS-10B	REV. A01	