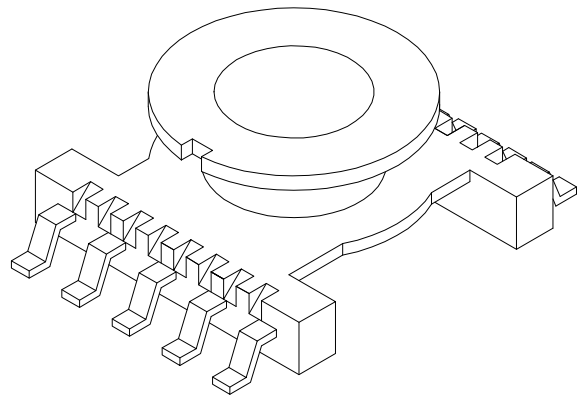
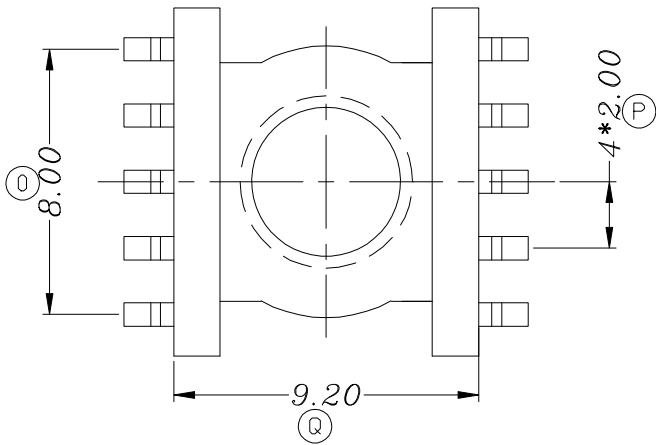
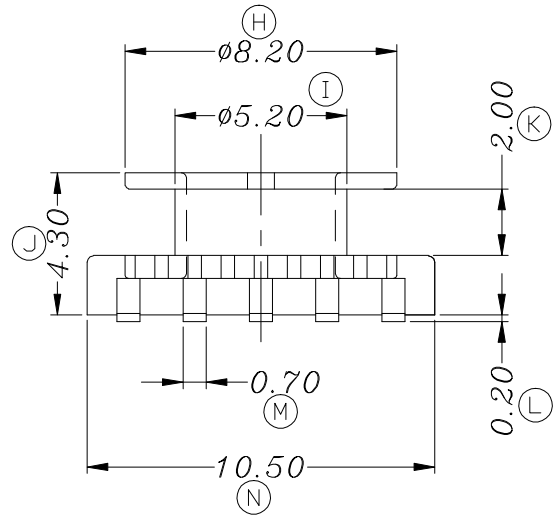
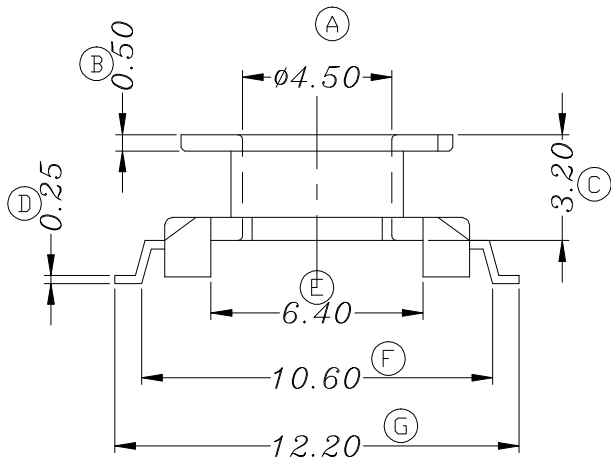


ZXS-11.5A

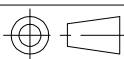


REV.	REVISIONS	REC.	DATE	REV.	REVISIONS	REC.	DATE		
1				4					
2				5					
3				6					
DRAWN & DRAFTED BY		LIU WEI QIANG		TOLERANCES		ANGLE: $\pm 1^\circ$		TITLE: ER-11.5(5+5P)	
CHECKED & APPROVED BY		MA BU JIAN		$0 < L \leq 4 \pm 0.1$ $4 < L \leq 16 \pm 0.2$ $16 < L \leq 63 \pm 0.3$		pin pitch ± 0.2		UNIT: MM	
				SCALE:		PIN MATERIAL: CP WIRE		BOBBIN MATERIAL: PHENOLIC	
						DATE: 2012.06.03		UL REC. UL 94V-0	
						DRAWING NO. ZXS-11.5A		PIN TENSION LOAD: 1.0KG MIN	
								REV. A01	



智信电子塑胶有限公司

ZHI XIN ELECTRONICS PLASTIC CO., LTD.
 TEL:0769-86389901-2 FAX:0769-86389903



DATE: 2012.06.03

DRAWING NO.

ZXS-11.5A

REV. A01