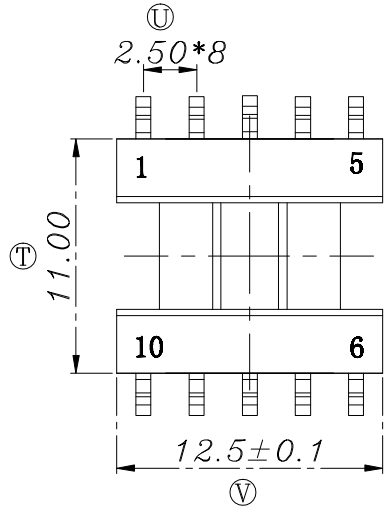
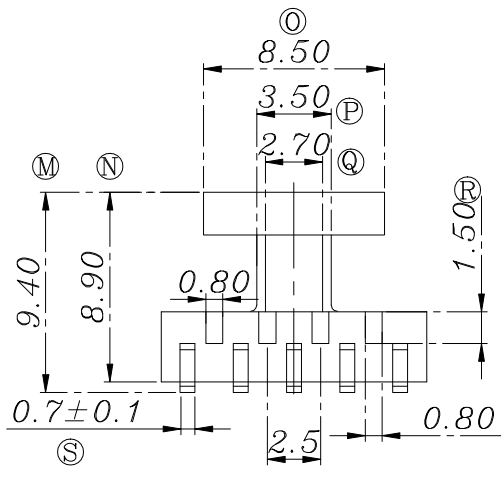
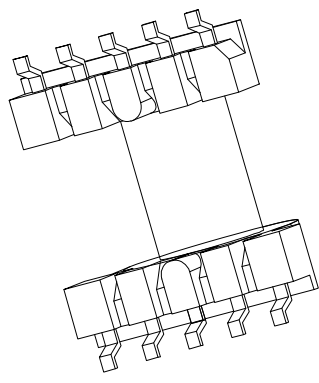
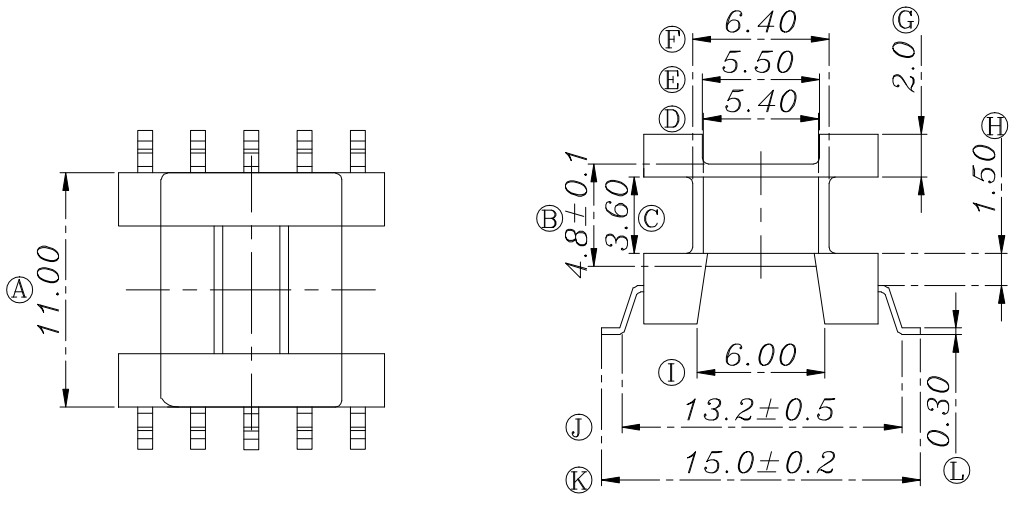


ZXS-12.5A



| REV. | REVISIONS | REC. | DATE | REV. | REVISIONS | REC. | DATE | | |
|-----------------------|-----------|---------------|------|---|-----------|---------------------------|------|-----------------------------|--|
| 1 | | | | 4 | | | | | |
| 2 | | | | 5 | | | | | |
| 3 | | | | 6 | | | | | |
| DRAWN & DRAFTED BY | | LIU WEI QIANG | | TOLERANCES | | ANGLE: ±1° | | TITLE: EI-12.5(5+5P) | |
| CHECKED & APPROVED BY | | MA BU JIAN | | 0<L≤4 ±0.1 4<L≤16 ±0.2 16<L≤63 ±0.3 | | pin pitch ±0.2 | | UNIT: MM | |
| | | | | SCALE: | | BOBBIN MATERIAL: PHENOLIC | | UL REC. UL 94V-0 | |
| | | | | | | PIN MATERIAL: CP WIRE | | PIN TENSION LOAD: 1.0KG MIN | |
| | | | | DATE: 2006.09.08 | | DRAWING NO. ZXS-12.5A | | REV. A01 | |



智信电子塑胶有限公司
ZHI XIN ELECTRONICS PLASTIC CO., LTD.
 TEL:0769-86389901-2 FAX:0769-86389903

