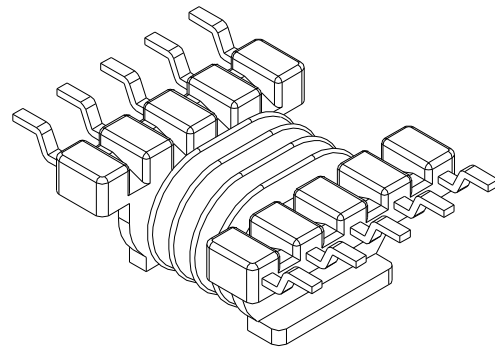
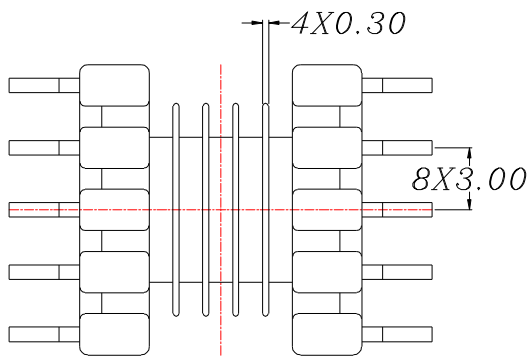
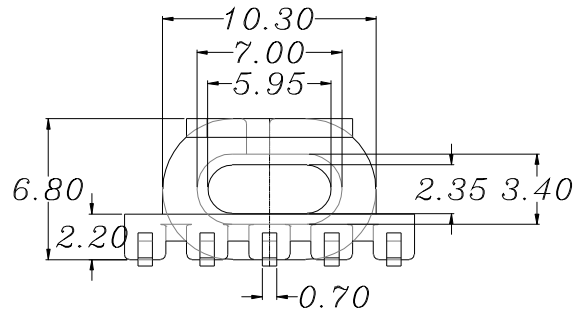
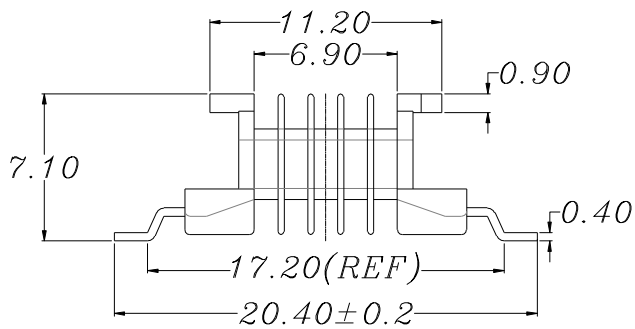
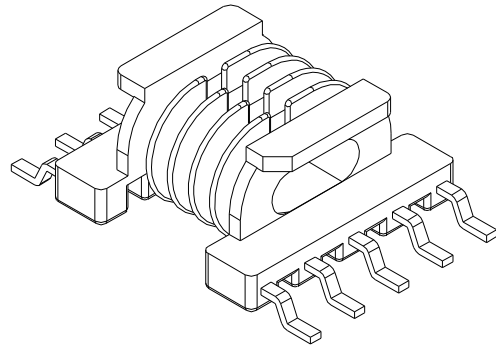
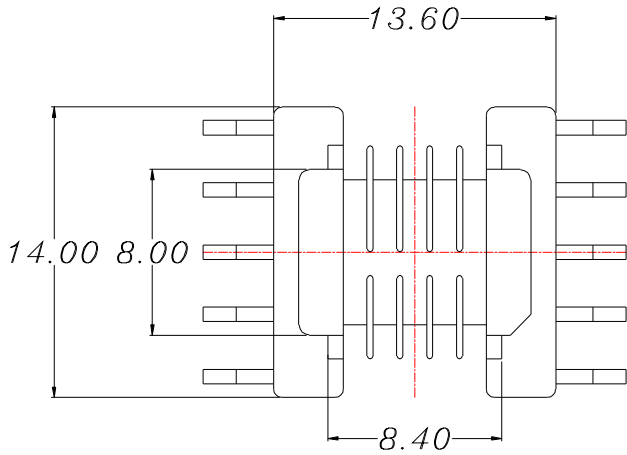


ZXS-13E



REV.	REVISIONS REC.		DATE	REV.	REVISIONS REC.		DATE
1				4			
2				5			
3				6			
DRAWN & DRAFTED BY	LIU WEI QIANG	TOLERANCES		ANGLE:	TITLE: EPC-13(5+5P)		
CHECKED & APPROVED BY	ZHANG YONG	0<L≤4 ±0.1	pin pitch ±0.2	UNIT:	BOBBIN MATERIAL: LCP E4008	UL REC. UL 94V-0	
		4<L≤16 ±0.2		MM	PIN MATERIAL: CP WIRE	PIN TENSION LOAD: 0.8KG MIN	
		16<L≤63 ±0.3		SCALE:	DATE: 2018.12.08	DRAWING NO. ZXS-13E	REV. A01



智信电子塑胶有限公司
ZHI XIN ELECTRONICS PLASTIC CO., LTD.
TEL:0769-86389901-2 FAX:0769-86389903

