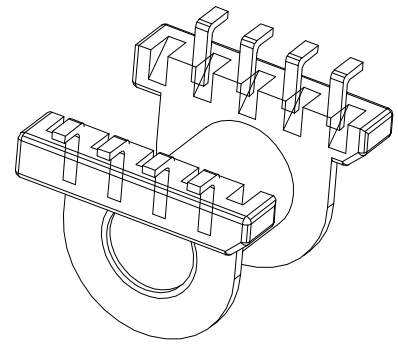
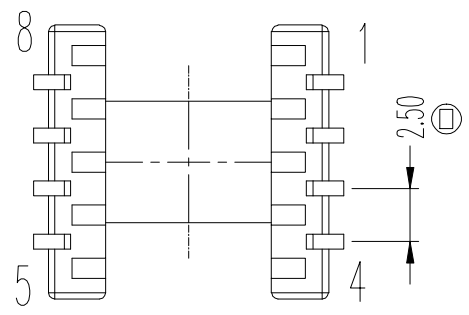
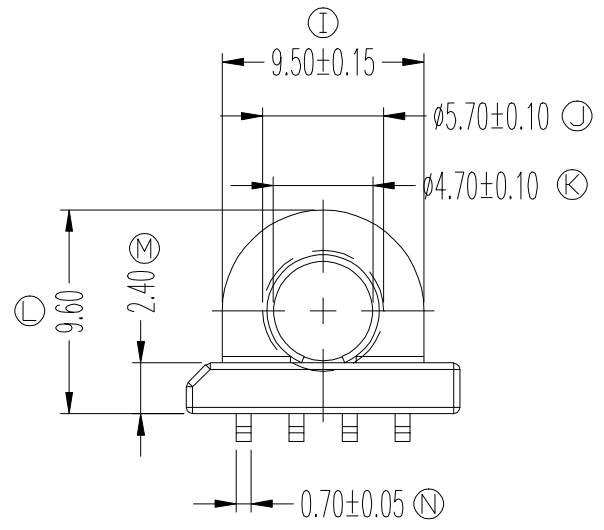
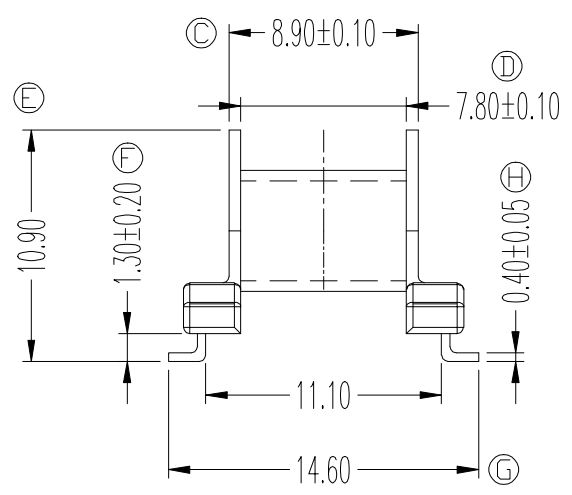
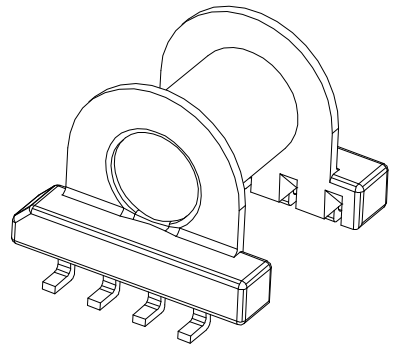
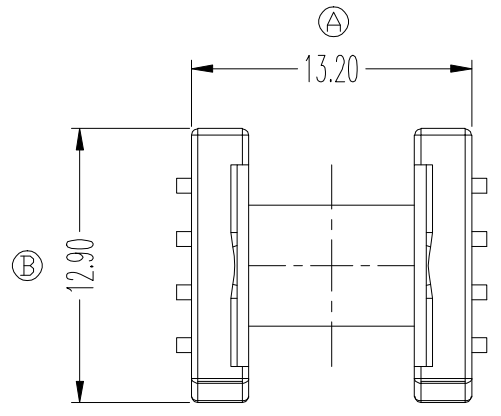


# ZXS-13Y



REV.	REVISIONS REC.		DATE	REV.	REVISIONS REC.		DATE		
1				4					
2				5					
3				6					
DRAWN & DRAFTED BY		LIU WEI QIANG		TOLERANCES		ANGLE: ±1°		TITLE: EP-13 (4+4P)	
CHECKED & APPROVED BY		ZHANG YONG		0<L≤4 ±0.1 4<L≤16 ±0.2 16<L≤63 ±0.3		pin pitch ±0.2		BOBBIN MATERIAL: PM-9630	
						UNIT: MM		UL REC. UL 94V-0	
						SCALE:		PIN MATERIAL: CP WIRE	
								PIN TENSION LOAD: 1.0KG MIN	
						DATE: 2018.11.26		DRAWING NO. ZXS-13Y	
								REV. A01	



**智信电子塑胶有限公司**  
**ZHI XIN ELECTRONICS PLASTIC CO., LTD.**  
 TEL:0769-86389901-2 FAX:0769-86389903

