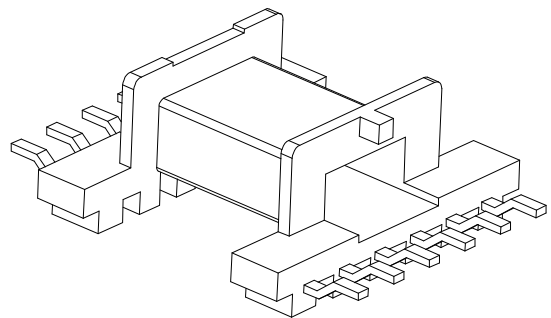
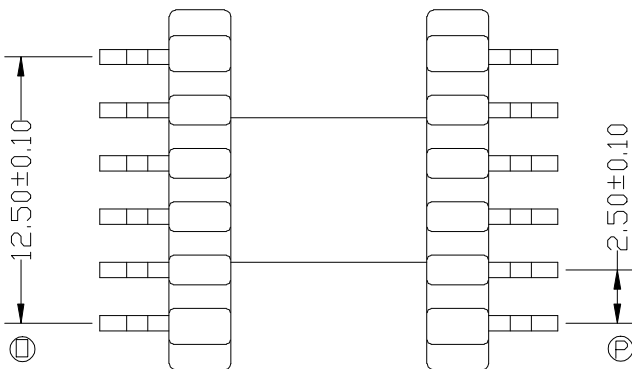
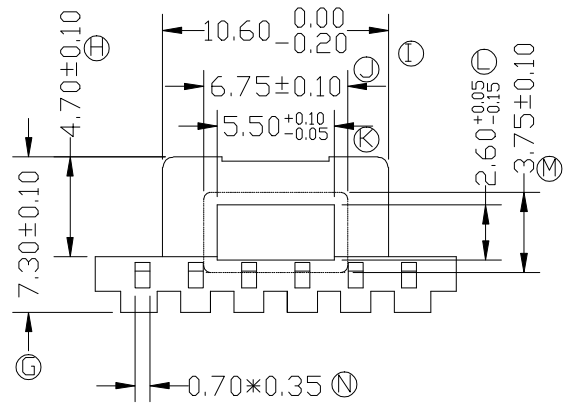
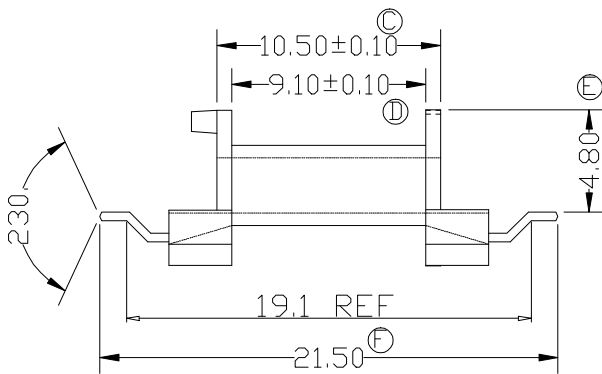
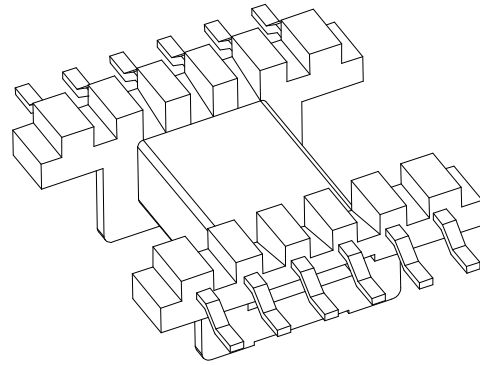
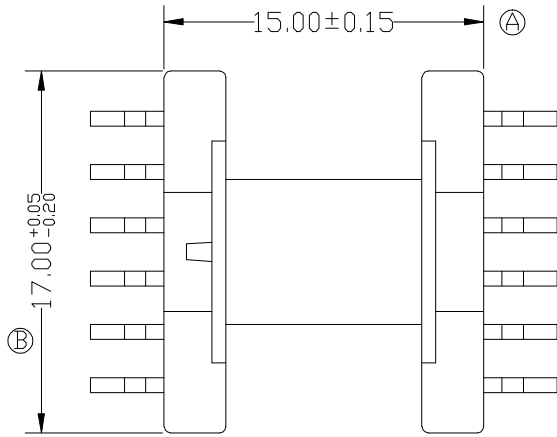


ZXS-15A



REV.	REVISIONS	REC.	DATE	REV.	REVISIONS	REC.	DATE
1	CoPIAnarity: deviation: 0.10mm (0.004inches) max			4			
2	PIN表面需95%以上吃锡光滑良好 (切断面) 260° C ± 5° C, 浴锡3-5秒			5			
3				6			
DRAWN & DRAFTED BY		LIU WEI QIANG		TOLERANCES		ANGLE: ±1°	
CHECKED & APPROVED BY		MA BU JIAN		pin pitch		TITLE: EFD-15(6+6P)	
		0 < L ≤ 4 ±0.1		UNIT: MM		BOBBIN MATERIAL: PHENOLIC	
		4 < L ≤ 16 ±0.2		SCALE:		UL REC. UL 94V-0	
		16 < L ≤ 63 ±0.3		DATE: 2004.06.05		PIN MATERIAL: CP WIRE	
				DRAWING NO. ZXS-15A		PIN TENSION LOAD: 1.0KG MIN	
				REV. A01			



智信电子塑胶有限公司
ZHI XIN ELECTRONICS PLASTIC CO., LTD.
 TEL: 0769-86389901-2 FAX: 0769-86389903

