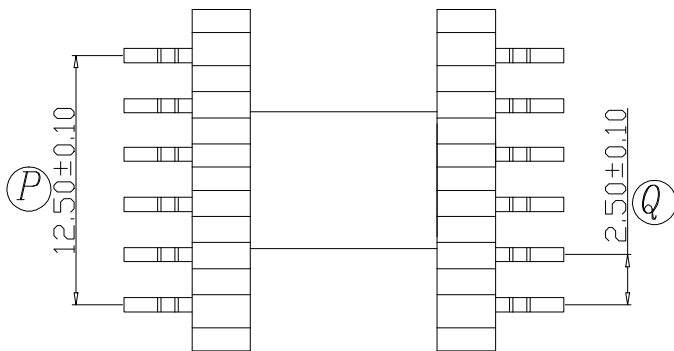
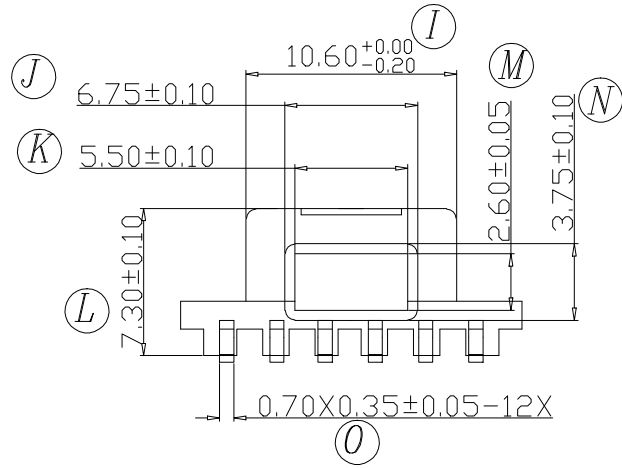
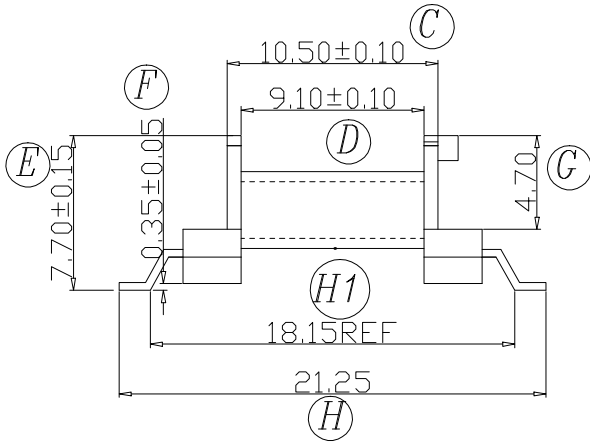
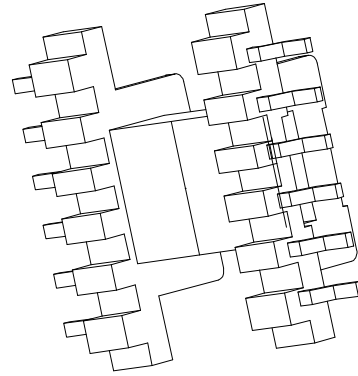
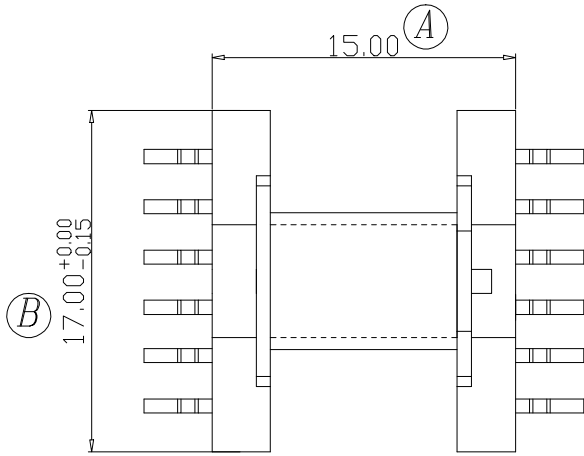


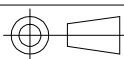
# ZXS-15D



REV.	REVISIONS	REC.	DATE	REV.	REVISIONS	REC.	DATE
1				4			
2				5			
3				6			
DRAWN & DRAFTED BY		LIU WEI QIANG		TOLERANCES		ANGLE: $\pm 1^\circ$	
CHECKED & APPROVED BY		MA BU JIAN		pin pitch		TITLE: <b>EFD-15 (6+6P)</b>	
		0 < L ≤ 4 ±0.1		UNIT: MM		BOBBIN MATERIAL: PHENOLIC	
		4 < L ≤ 16 ±0.2		SCALE:		UL REC. UL 94V-0	
		16 < L ≤ 63 ±0.3		DATE: 2004.09.14		PIN MATERIAL: CP WIRE	
				DRAWING NO. <b>ZXS-15D</b>		PIN TENSION LOAD: 1.0KG MIN.	
				REV. A01			



**智信电子塑胶有限公司**  
**ZHI XIN ELECTRONICS PLASTIC CO., LTD.**  
 TEL: 0769-86389901-2 FAX: 0769-86389903



DATE: 2004.09.14

DRAWING NO. **ZXS-15D**

REV. A01