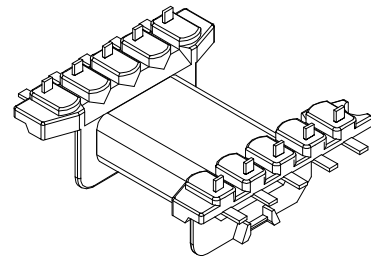
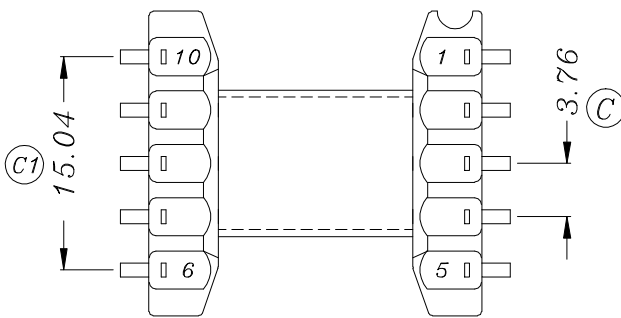
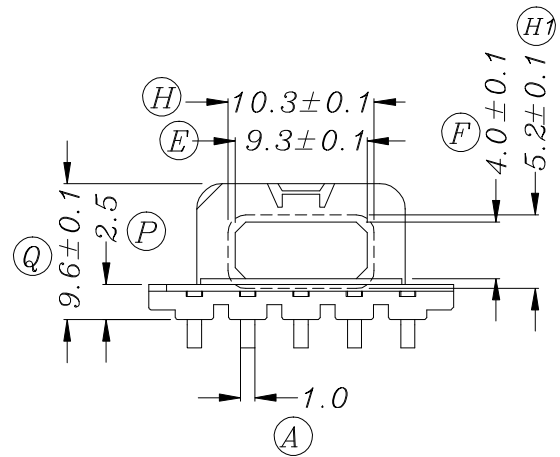
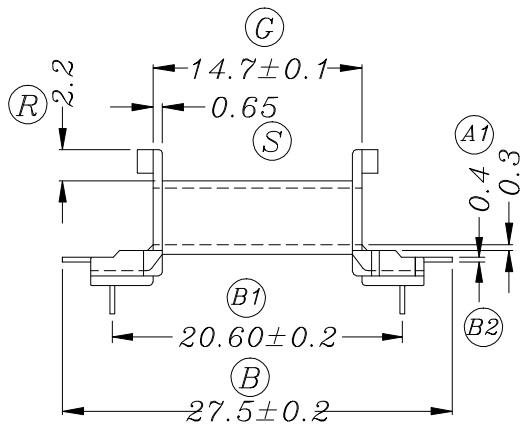
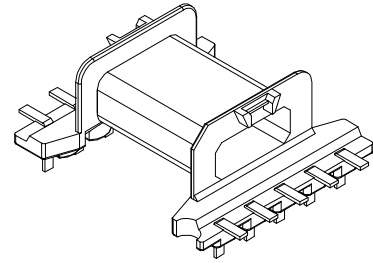
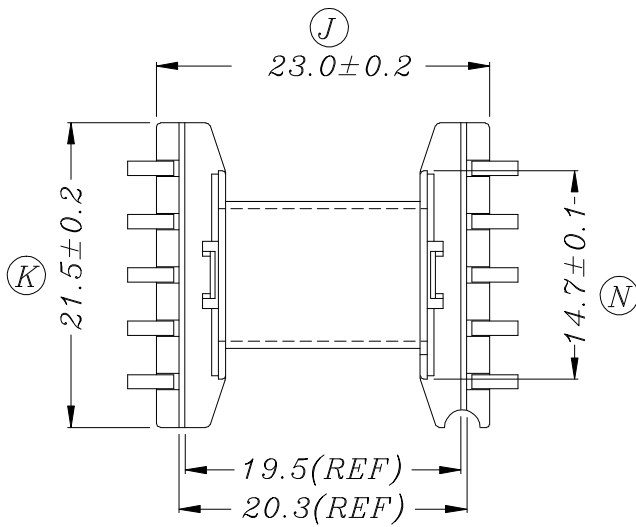


# ZXS-20D1



REV.	REVISIONS REC.		DATE	REV.	REVISIONS REC.		DATE
1				4			
2				5			
3				6			
DRAWN & DRAFTED BY		LIU WEI QIANG	TOLERANCES		ANGLE:		TITLE:
CHECKED & APPROVED BY		MA BU JIAN	0<L≤4 ±0.1 4<L≤16 ±0.2 16<L≤63 ±0.3		±1°		EFD-20 (5+5P)
			pin pitch ±0.2		UNIT: MM		
			SCALE:		PIN MATERIAL: CP WIRE		UL REC. UL 94V-0
			DATE: 2009.09.14		DRAWING NO. ZXS-20D1		PIN TENSION LOAD: 1.0KG MIN
			REV. A01				



**智信电子塑胶有限公司**  
 ZHI XIN ELECTRONICS PLASTIC CO., LTD.  
 TEL:0769-86389901-2 FAX:0769-86389903

