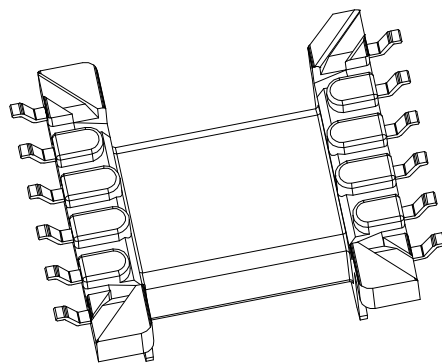
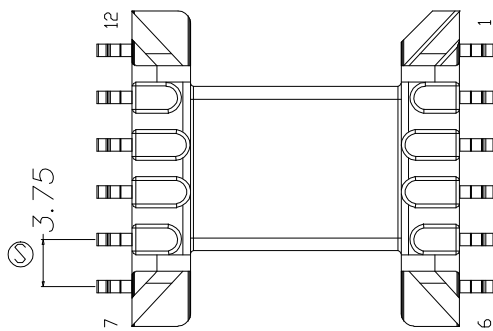
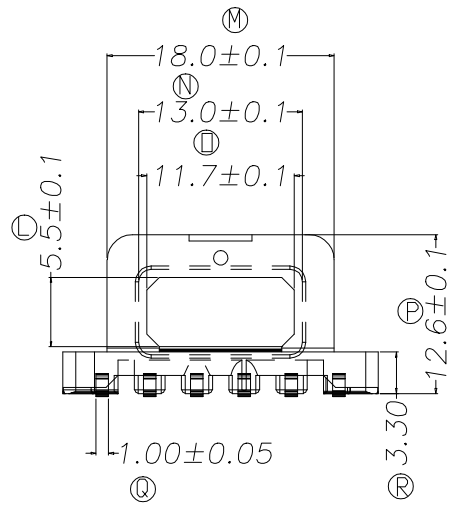
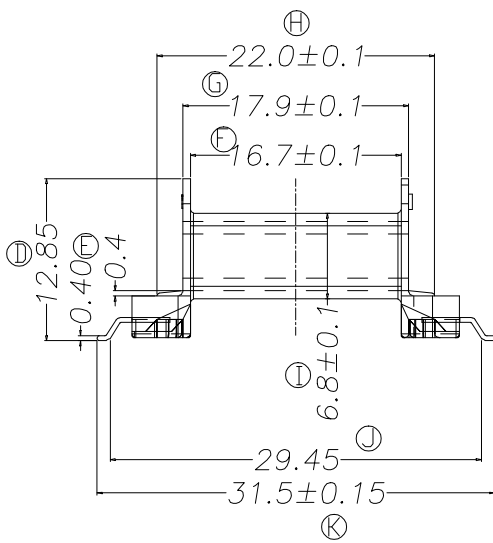
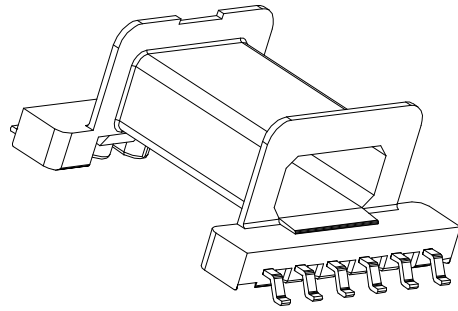
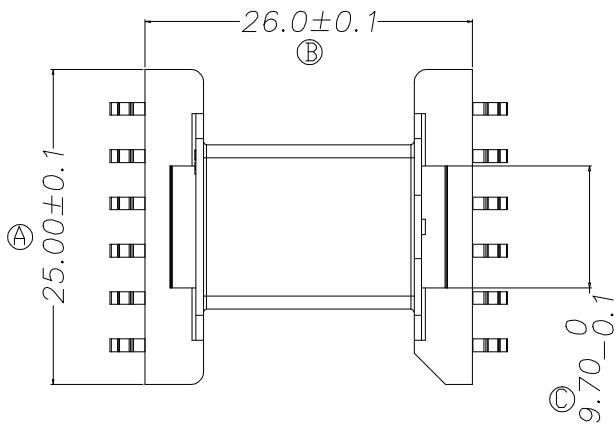


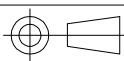
ZXS-25C



REV.	REVISIONS		REC.			
1				4		
2				5		
3				6		
DRAWN & DRAFTED BY		LIU WEI QIANG		TOLERANCES		ANGLE: $\pm 1^\circ$
CHECKED & APPROVED BY		LI QI YI		0 < L ≤ 4	± 0.1	pin pitch ± 0.2
				4 < L ≤ 16	± 0.2	
				16 < L ≤ 63	± 0.3	UNIT: MM
				SCALE:		TITLE: EFD-25(6+6P)
				DATE: 2017.11.23		BOBBIN MATERIAL: PHENOLIC
				DRAWING NO. ZXS-25C		UL REC. UL 94V-0
				REV. A01		PIN TENSION LOAD: 0.8KG MIN



智信电子塑胶有限公司
ZHI XIN ELECTRONICS PLASTIC CO., LTD.
TEL:0769-86389901-2 FAX:0769-86389903



DATE: 2017.11.23

DRAWING NO. ZXS-25C

REV. A01