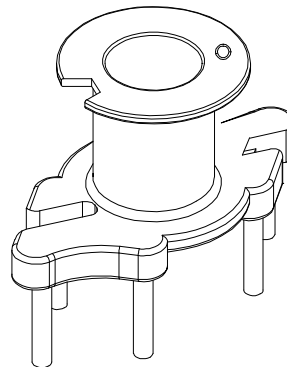
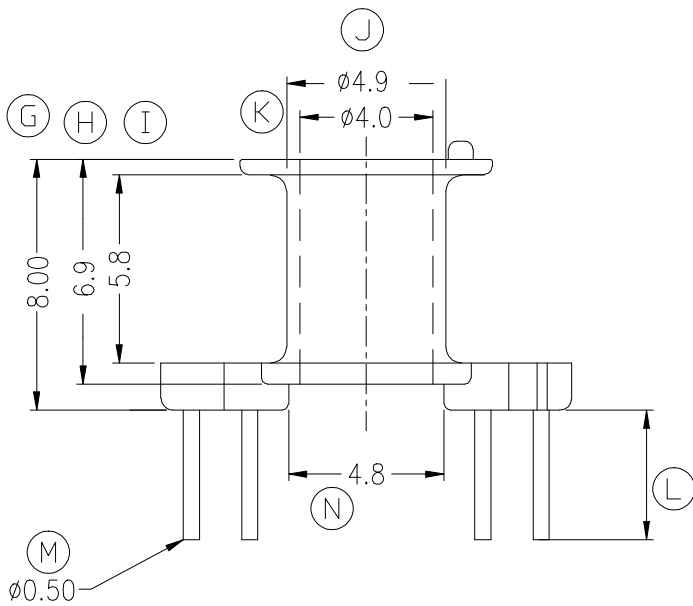
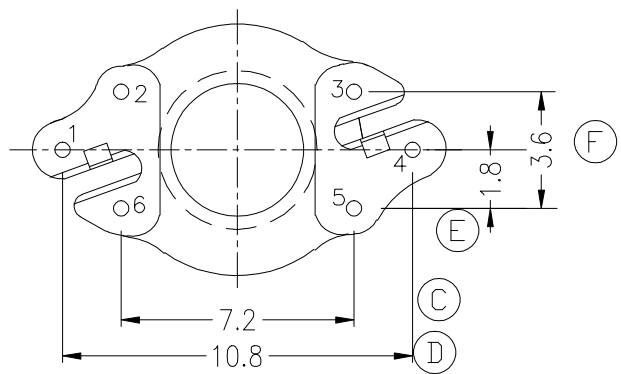
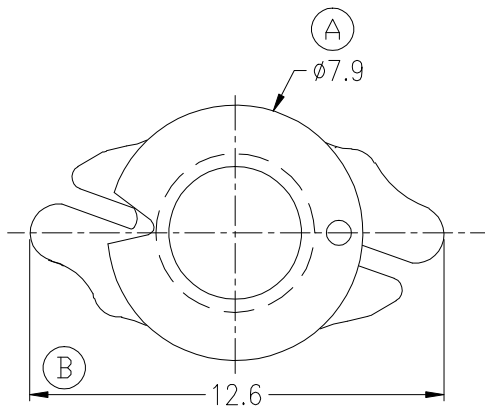
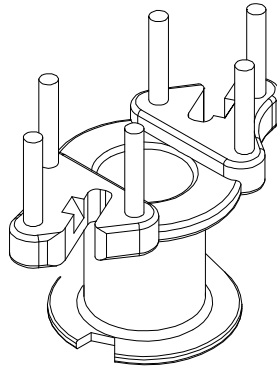


ZX-4A1



REV.	REVISIONS	REC.	DATE	REV.	REVISIONS	REC.	DATE
1				4			
2				5			
3				6			
DRAWN & DRAFTED BY		LIU WEI QIANG		TOLERANCES		ANGLE: $\pm 1^\circ$	
CHECKED & APPROVED BY		MA BU JIAN		$0 < L < 4 \pm 0.1$ pin pitch $4 < L < 16 \pm 0.2$ $16 < L < 63 \pm 0.3$		UNIT: mm	
智信电子塑胶有限公司 ZHI XIN ELECTRONICS PLASTIC CO., LTD. TEL: 0769-86389901-2 FAX: 0769-86389903				SCALE:		TITLE: RM-4(3+3P)	
				DATE: 2011.09.12		BOBBIN MATERIAL: PHENOLIC	
				DRAWING NO. ZX-4A1		UL REC. UL 94V-0	
				DATE: 2011.09.12		PIN MATERIAL: CP WIRE	
				REV. A01		PIN TENSION LOAD: 0.7KG MIN	