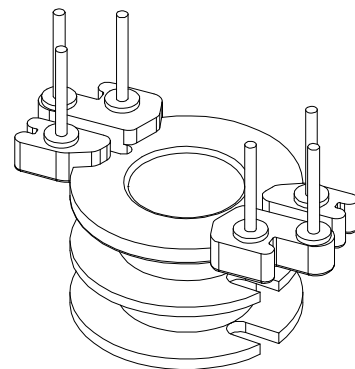
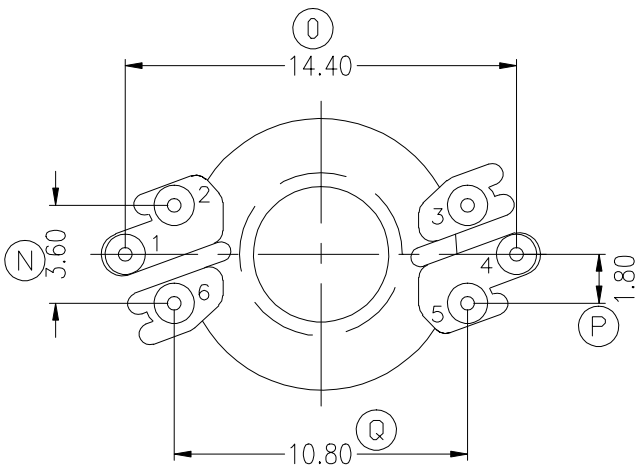
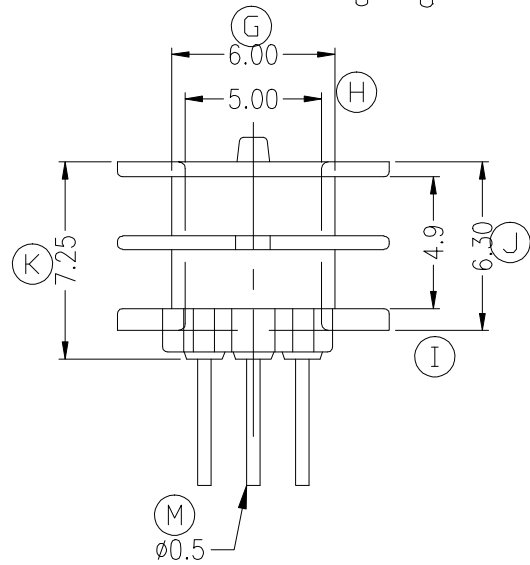
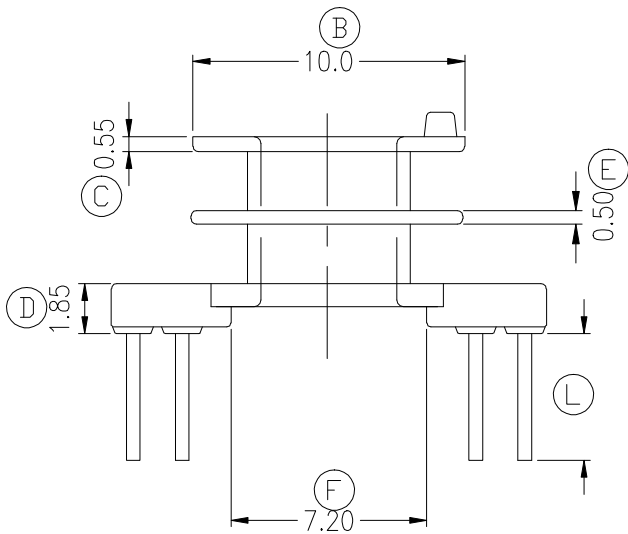
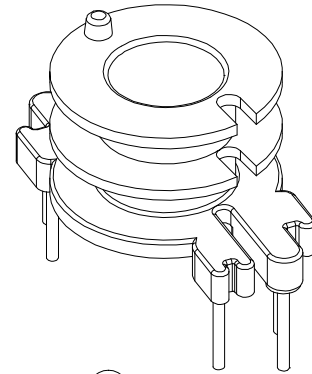
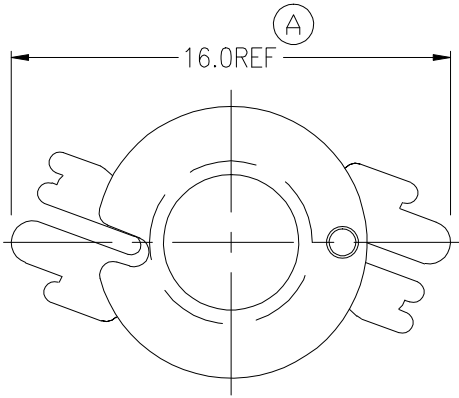

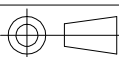


ZX-5A1



REV.	REVISIONS REC.	DATE	REV.	REVISIONS REC.	DATE
1			4		
2			5		
3			6		
DRAWN & DRAFTED BY <b>LIU WEI QIANG</b>		TOLERANCES 0<L<4 ±0.1 pin pitch 4<L<16 ±0.2 16<L<63 ±0.3 ±0.2		TITLE: <b>RM-5 (3+3P) 2S</b>	
CHECKED & APPROVED BY <b>MA BU JIAN</b>		ANGLE: ±1°	UNIT: MM	BOBBIN MATERIAL: <b>PHENOLIC</b>	UL REC. UL 94V-0
 <b>智信电子塑胶有限公司</b> ZHI XIN ELECTRONICS PLASTIC CO., LTD. TEL:0769-86389901-2 FAX:0769-86389903		SCALE:	PIN MATERIAL: <b>CP WIRE</b>	PIN TENSION LOAD: <b>0.7KG MIN</b>	
			DATE: 2011. 11. 25	DRAWING NO. <b>ZX-5A1</b>	REV. <b>A01</b>