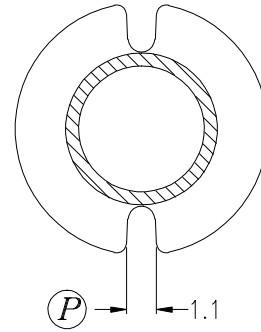
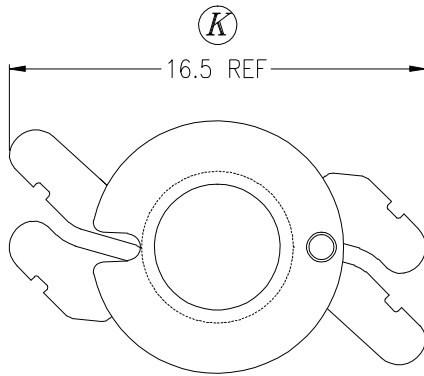
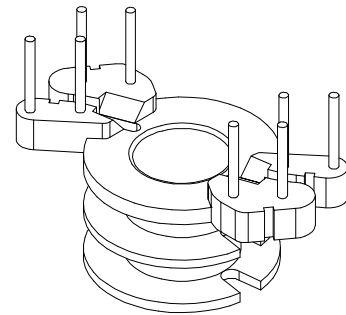
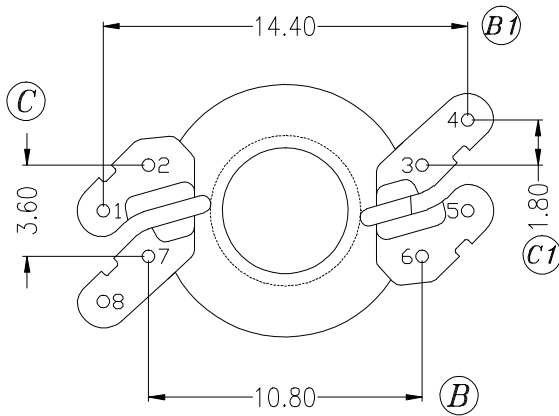
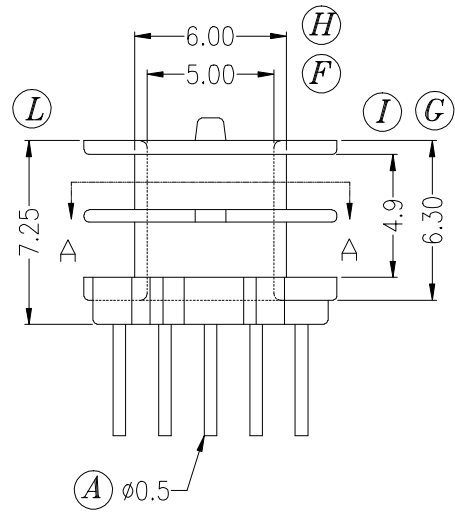
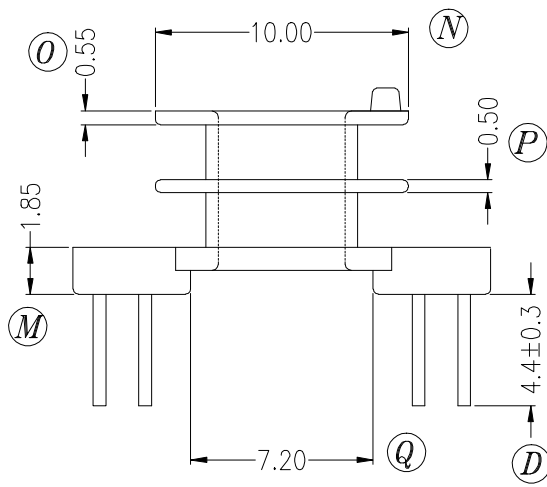


ZX-5D



SEC A-A



REV.	REVISIONS REC.		DATE	REV.	REVISIONS REC.		DATE
1				4			
2				5			
3				6			
DRAWN & DRAFTED BY		LIU WEI QIANG		TOLERANCES		ANGLE: $\pm 1^\circ$	
CHECKED & APPROVED BY		MA BU JIAN		$0 < L \leq 4 \pm 0.1$ $4 < L \leq 16 \pm 0.2$ $16 < L \leq 63 \pm 0.3$		pin pitch ± 0.2 UNIT: MM SCALE:	
TITLE: RM-5(4+4P)2S				BOBBIN MATERIAL: PHENOLIC		UL REC. UL 94V-0	
DATE: 2004.09.14				PIN MATERIAL: CP WIRE		PIN TENSION LOAD: 0.7kg MIN.	
DRAWING NO. ZX-5D				REV. A01			



智信电子塑胶有限公司
 ZHI XIN ELECTRONICS PLASTIC CO., LTD.
 TEL: 0769-86389901-2 FAX: 0769-86389903

