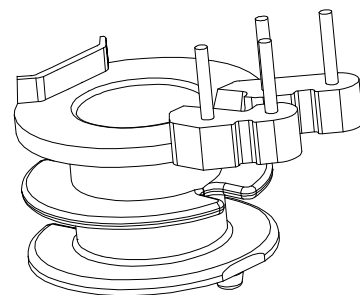
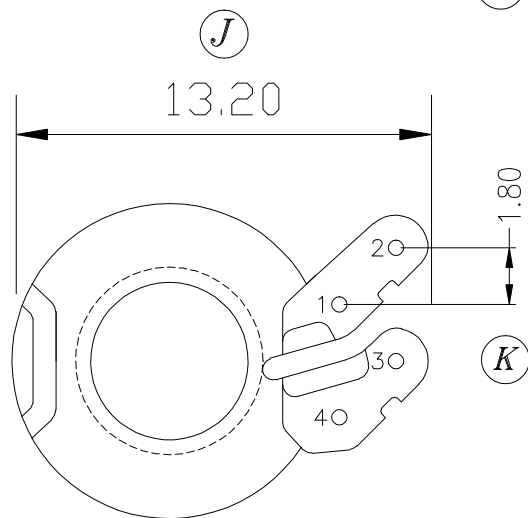
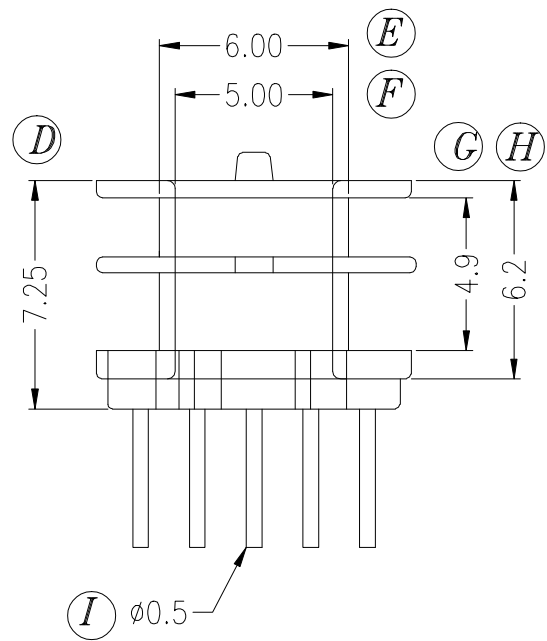
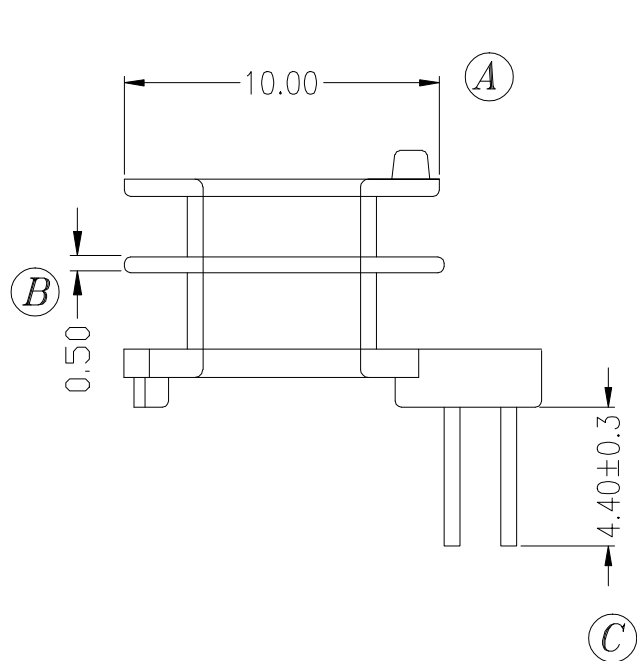


ZX-5D1



REV.	REVISIONS REC.		DATE	REV.	REVISIONS REC.		DATE
1				4			
2				5			
3				6			
DRAWN & DRAFTED BY		LIU WEI QIANG	TOLERANCES		ANGLE:	TITLE: RM-5(4P)2S	
CHECKED & APPROVED BY		MA BU JIAN	0 < L ≤ 4 ±0.1	pin pitch	±1°	BOBBIN MATERIAL: PHENOLIC	
			4 < L ≤ 16 ±0.2	±0.2	UNIT: MM	UL REC. UL 94V-0	
			16 < L ≤ 63 ±0.3		SCALE:	PIN MATERIAL: CP WIRE	PIN TENSION LOAD: 0.7kg MIN.
智信电子塑胶有限公司 ZHI XIN ELECTRONICS PLASTIC CO., LTD. TEL:0769-86389901-2 FAX:0769-86389903				DATE: 2004.05.12	DRAWING NO. ZX-5D1	REV. A01	