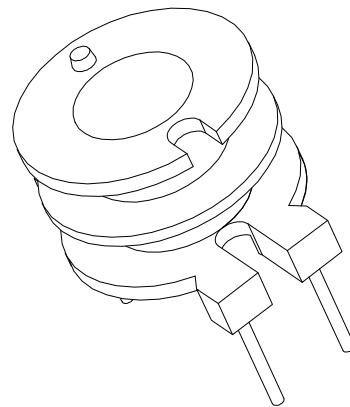
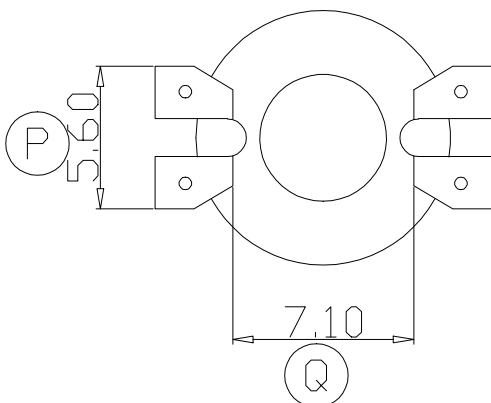
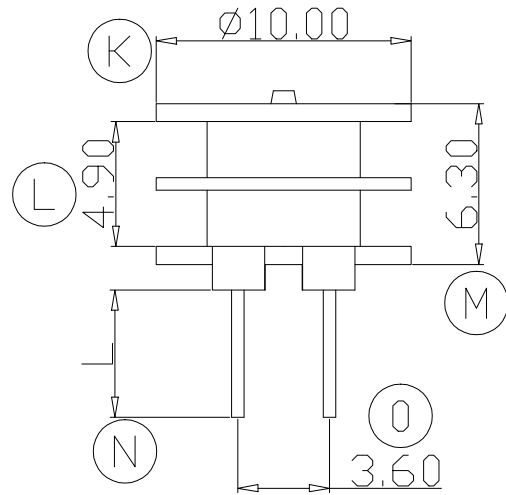
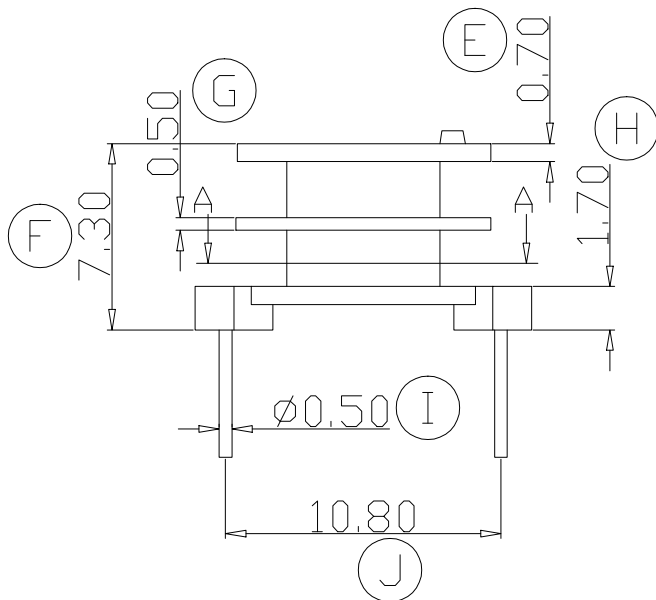
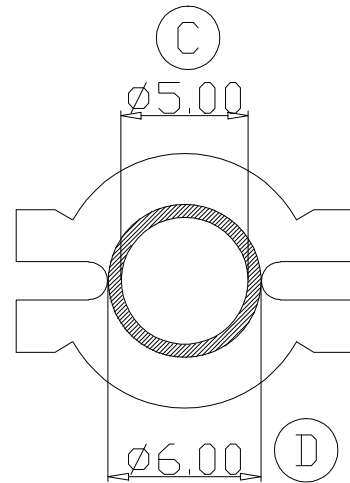
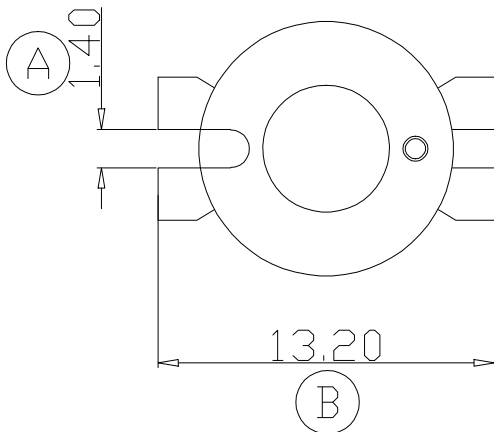


# ZX-5F



REV.	REVISIONS REC.		DATE	REV.	REVISIONS REC.		DATE
1				4			
2				5			
3				6			
DRAWN & DRAFTED BY	LIU WEI QIANG	TOLERANCES		ANGLE:	TITLE: RM-5(2+2P)2S		
CHECKED & APPROVED BY	MA BU JIAN	0 < L ≤ 4 ±0.1	pin pitch	UNIT:	BOBBIN MATERIAL:	UL REC. UL 94V-0	
		4 < L ≤ 16 ±0.2	±0.2	MM	PHENOLIC	PIN TENSION LOAD: 0.7kg MIN.	
		16 < L ≤ 63 ±0.3		SCALE:	PIN MATERIAL:	CP WIRE	
<b>智信电子塑胶有限公司</b> ZHI XIN ELECTRONICS PLASTIC CO., LTD. TEL:0769-86389901-2 FAX:0769-86389903		DATE: 2004.09.14		DRAWING NO. ZX-5F		REV. A01	