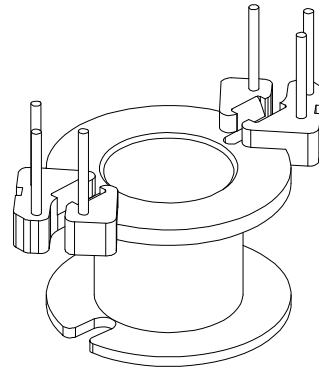
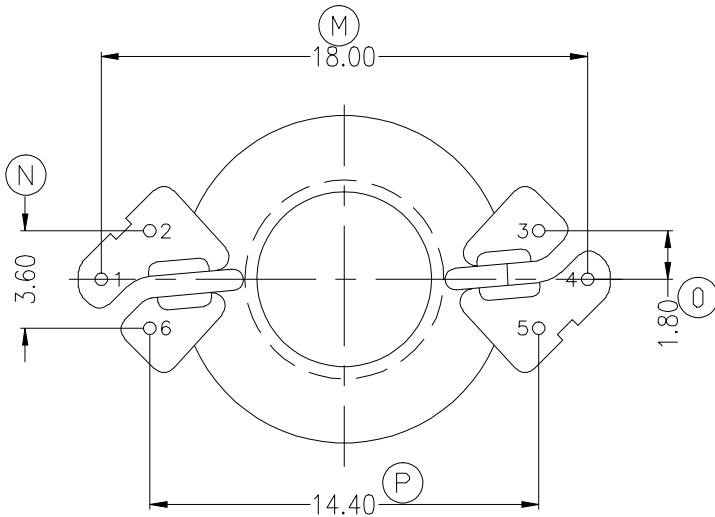
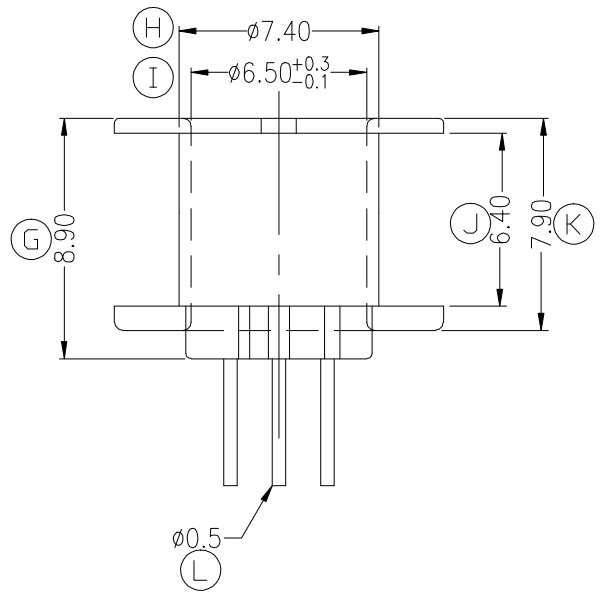
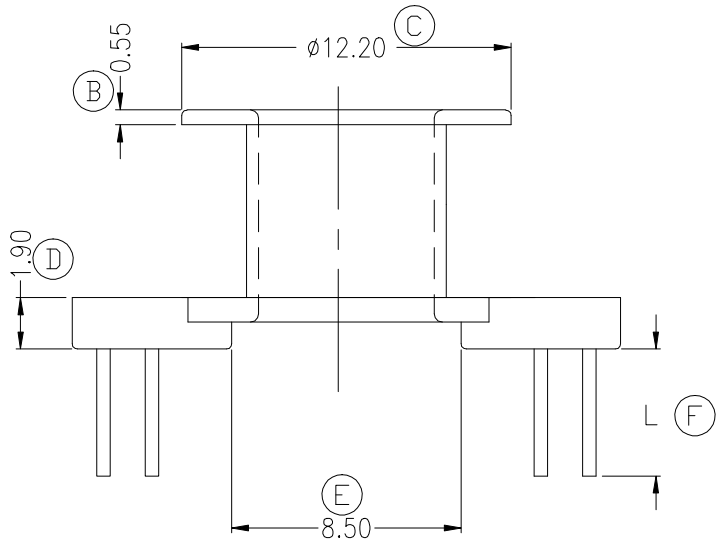
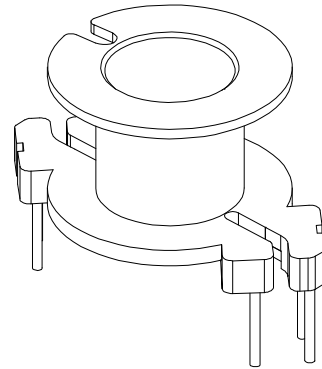
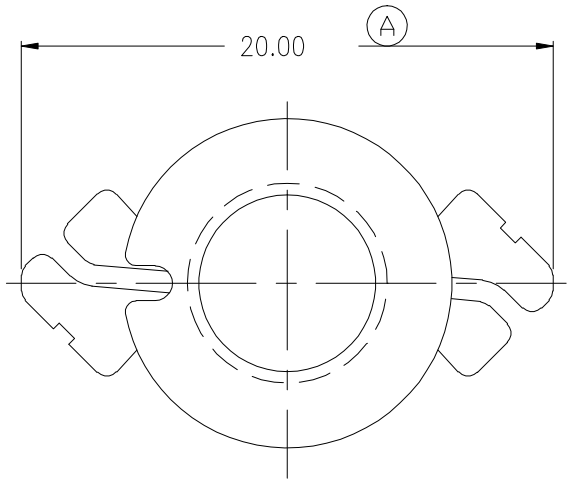


ZX-6A



REV.	REVISIONS	REC.	DATE	REV.	REVISIONS	REC.	DATE
1	(I) 尺寸已之前的6.5±0.2变更为6.1		2013.09.28	4			
2				5			
3				6			
DRAWN & DRAFTED BY		LIU WEI QIANG		TOLERANCES		ANGLE: ±1°	
CHECKED & APPROVED BY		MA BU JIAN		0<L≤4 ±0.1		pin pitch	
				4<L≤16 ±0.2		UNIT: MM	
				16<L≤63 ±0.3		SCALE:	
TITLE:		RM-6(3+3P)					
BOBBIN MATERIAL:		PHENOLIC		UL REC.		UL 94V-0	
PIN MATERIAL:		CP WIRE		PIN TENSION LOAD:		0.8KG MIN	
DATE:		2004.04.28		DRAWING NO.		ZX-6A	
REV.:		A01					



智信电子塑胶有限公司
 ZHI XIN ELECTRONICS PLASTIC CO., LTD.
 TEL:0769-86389901-2 FAX:0769-86389903

