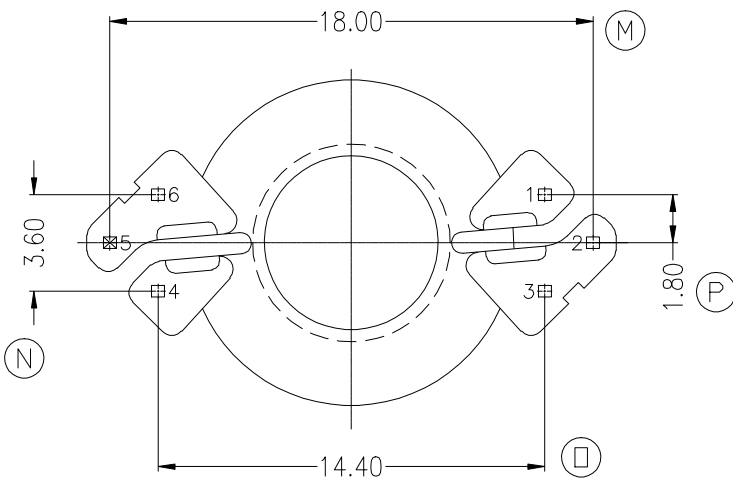
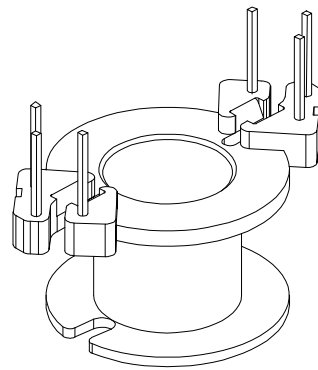
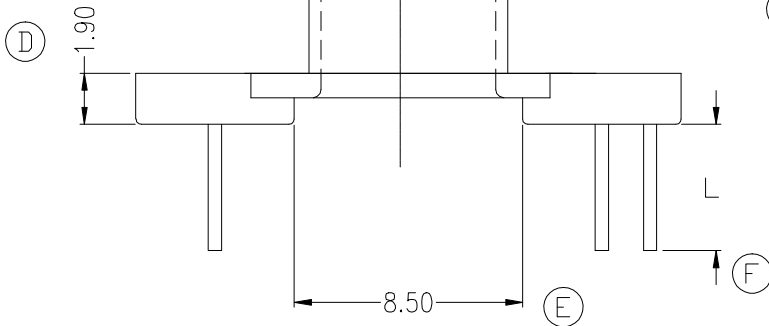
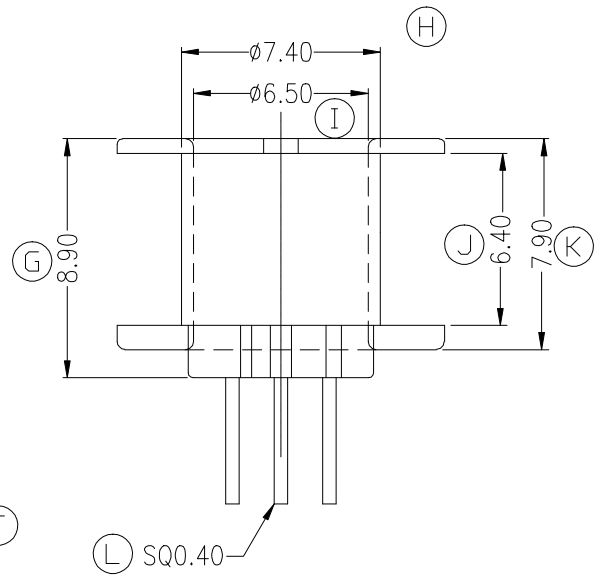
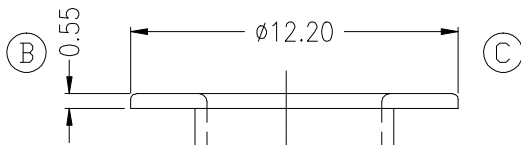
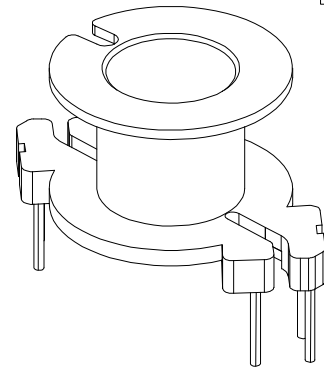
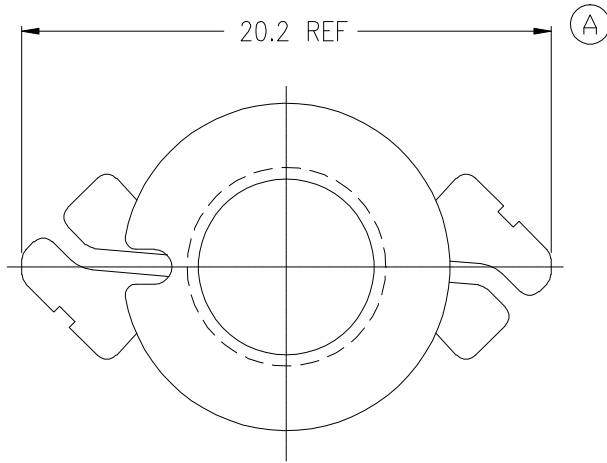


ZX-6A2



REV.	REVISIONS REC.		DATE	REV.	REVISIONS REC.		DATE
1				4			
2				5			
3				6			
DRAWN & DRAFTED BY	LIU WEI QIANG	TOLERANCES		ANGLE:	TITLE: RM-6(3+3P)		
CHECKED & APPROVED BY	MA BU JIAN	0 < L ≤ 4 ±0.1	pin pitch	UNIT:	BOBBIN MATERIAL:	PHENOLIC	UL REC. UL 94V-0
		4 < L ≤ 16 ±0.2	±0.2	SCALE:	PIN MATERIAL:	CP WIRE	PIN TENSION LOAD: 0.5KG MIN
		16 < L ≤ 63 ±0.3			DATE:	DRAWING NO.	REV.
智信电子塑胶有限公司 ZHI XIN ELECTRONICS PLASTIC CO., LTD. TEL:0769-86389901-2 FAX:0769-86389903				2011.05.03	ZX-6A2	A01	