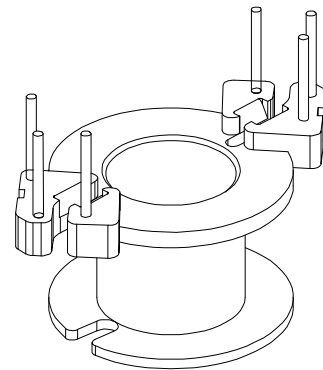
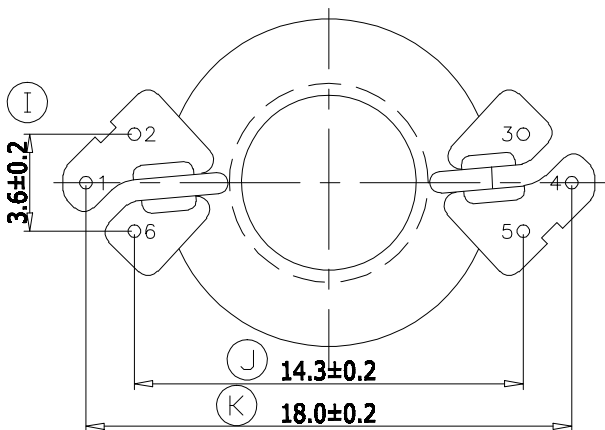
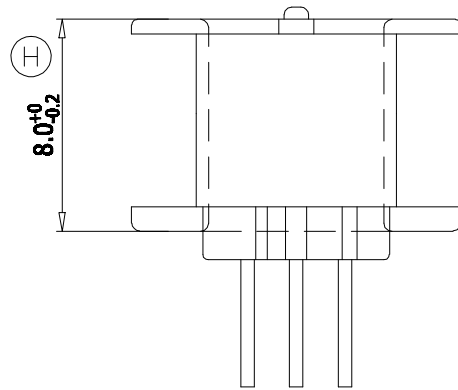
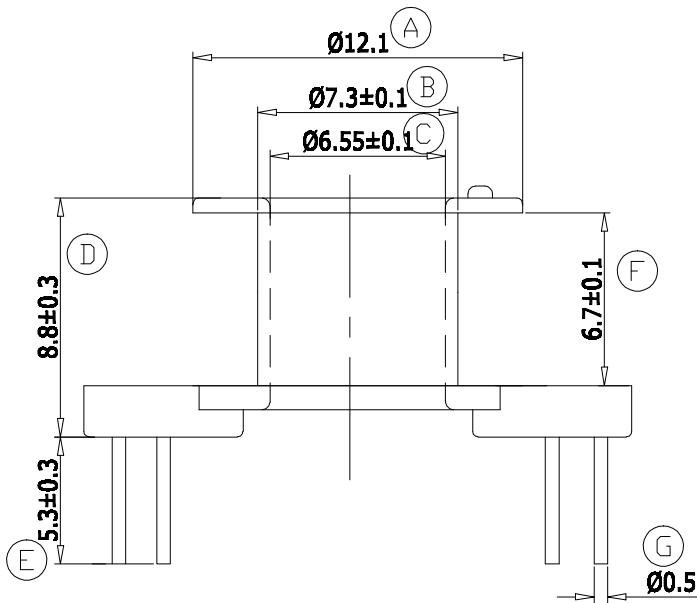
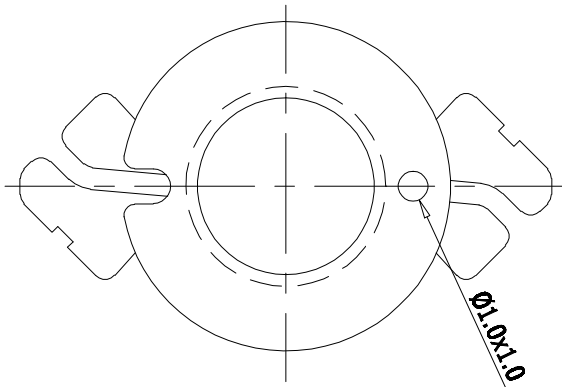


ZX-6A3



REV.	REVISIONS REC.	DATE	REV.	REVISIONS REC.	DATE
1	ⓐ 尺寸由 14.2±0.2 改为 14.3±0.2	2019.01.14	4		
2			5		
3			6		
DRAWN & DRAFTED BY		LIU WEI QIANG		TITLE: RM-6(3+3P)	
CHECKED & APPROVED BY		MA BU JIAN		BOBBIN MATERIAL: PM-9820	
		TOLERANCES		UL REC. UL 94V-0	
		0<L≤4 ±0.1		PIN MATERIAL: CP WIRE	
		4<L≤16 ±0.2		PIN TENSION LOAD: 0.8KG MIN	
		16<L≤63 ±0.3		SCALE: 1:1	
		pin pitch ±0.2		DATE: 2019.01.14	
		ANGLE: ±1°		DRAWING NO. ZX-6A3	
		UNIT: MM		REV. A02	
		SCALE: 1:1			



智信电子塑胶有限公司
ZHI XIN ELECTRONICS PLASTIC CO., LTD.
 TEL:0769-86389901-2 FAX:0769-86389903

