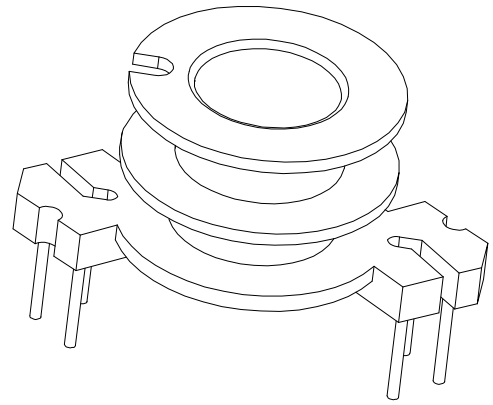
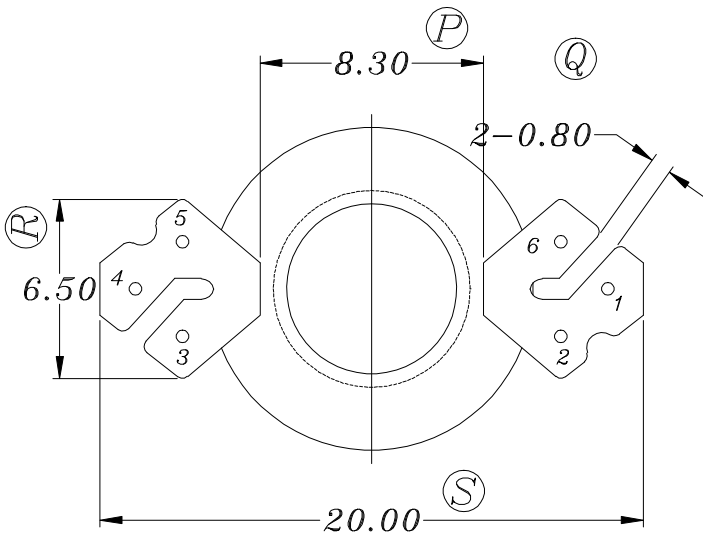
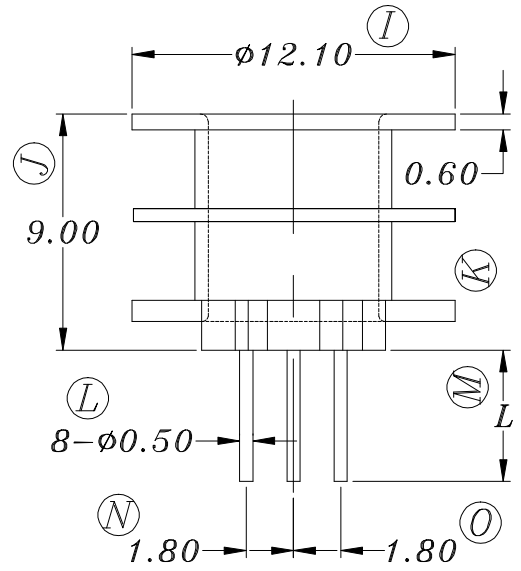
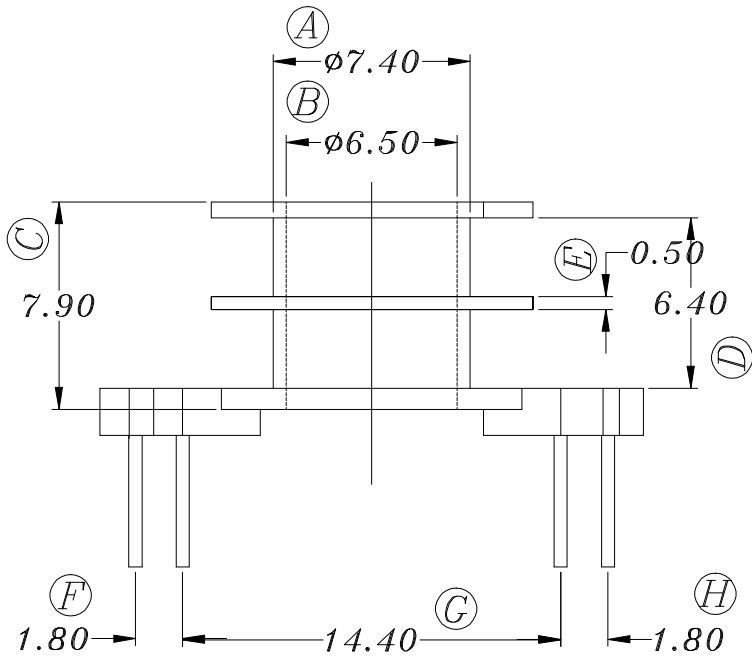


# ZX-6B



REV.	REVISIONS REC.		DATE	REV.	REVISIONS REC.		DATE		
1				4					
2				5					
3				6					
DRAWN & DRAFTED BY		LIU WEI QIANG		TOLERANCES		ANGLE: $\pm 1^\circ$		TITLE: <b>RM-6 (3+3P) 2S</b>	
CHECKED & APPROVED BY		MA BU JIAN		$0 < L \leq 4 \pm 0.1$ $4 < L \leq 16 \pm 0.2$ $16 < L \leq 63 \pm 0.3$		UNIT: MM		BOBBIN MATERIAL: PHENOLIC	
				pin pitch $\pm 0.2$		SCALE:		UL REC. UL 94V-0	
						DATE: 2004.09.21		PIN MATERIAL: CP WIRE	
						DRAWING NO. ZX-6B		PIN TENSION LOAD: 0.7KG MIN.	
						REV. A01			



**智信电子塑胶有限公司**  
**ZHI XIN ELECTRONICS PLASTIC CO., LTD.**  
 TEL: 0769-86389901-2 FAX: 0769-86389903