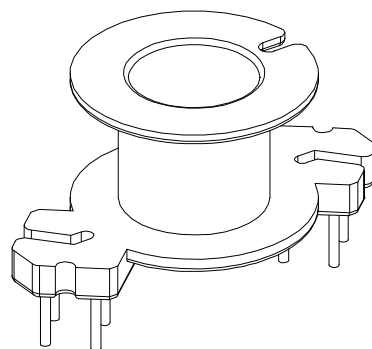
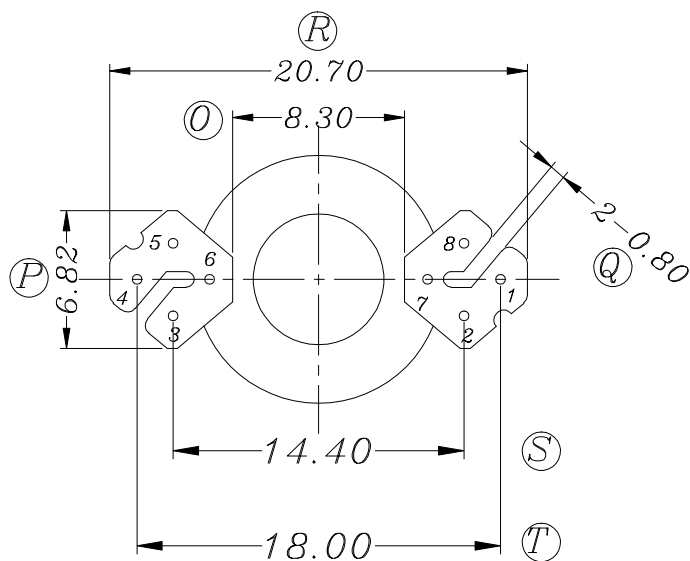
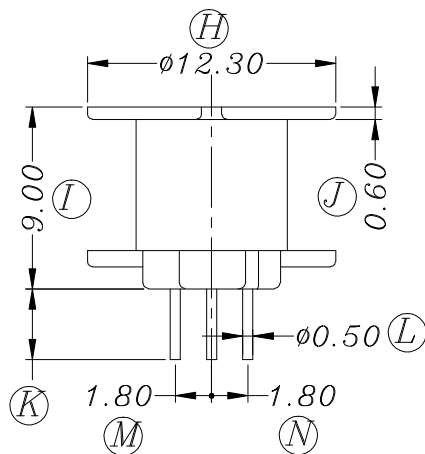
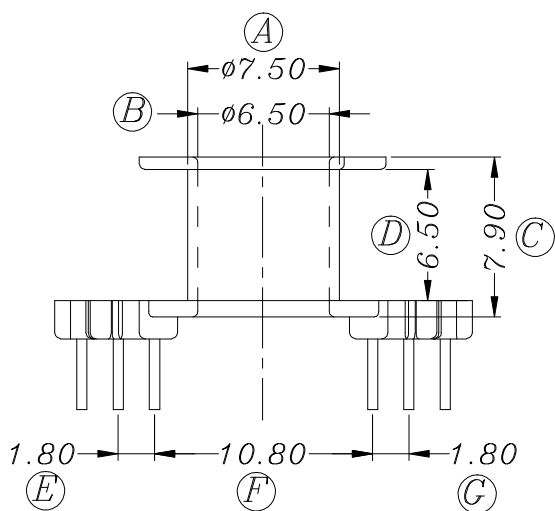


ZX-6E



REV.	REVISIONS	REC.	DATE	REV.	REVISIONS	REC.	DATE
1				4			
2				5			
3				6			
DRAWN & DRAFTED BY		LIU WEI QIANG		TOLERANCES		ANGLE: $\pm 1^\circ$	
CHECKED & APPROVED BY		MA BU JIAN		$0 < L \leq 4 \pm 0.1$ $4 < L \leq 16 \pm 0.2$ $16 < L \leq 63 \pm 0.3$		UNIT: MM SCALE:	
				pin pitch ± 0.2		TITLE: RM-6(4+4P)	
						BOBBIN MATERIAL: PHENOLIC	
						UL REC. UL 94V-0	
						PIN MATERIAL: CP WIRE	
						PIN TENSION LOAD: 1.0KG MIN.	
				DATE: 2004.07.12		DRAWING NO. ZX-6E	
						REV. A01	



智信电子塑胶有限公司
 ZHI XIN ELECTRONICS PLASTIC CO., LTD.
 TEL:0769-86389901-2 FAX:0769-86389903

