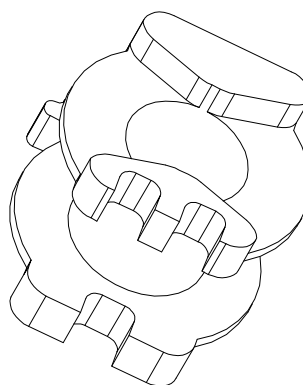
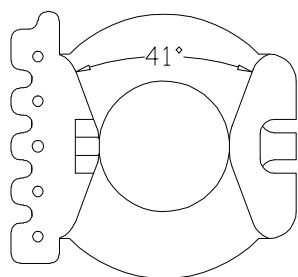
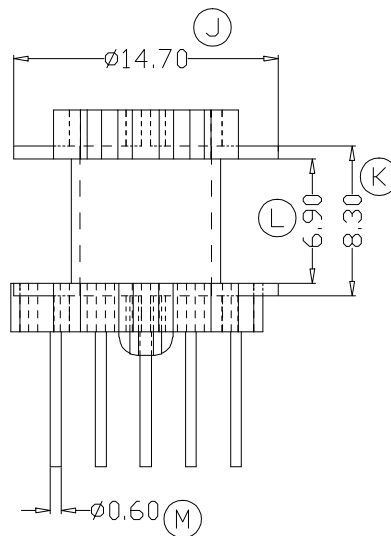
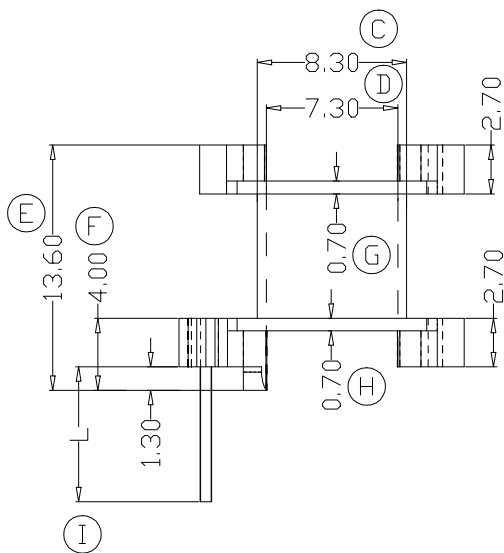
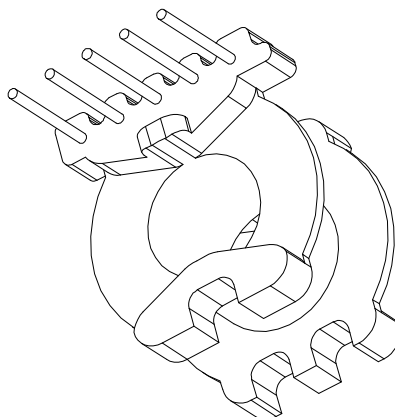
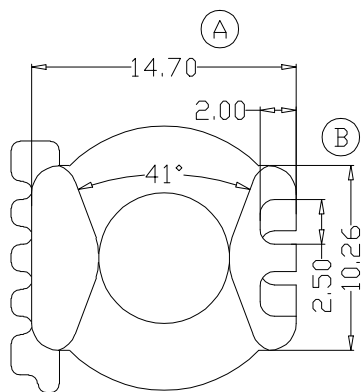


ZX-7A



REV.	REVISIONS	REC.	DATE	REV.	REVISIONS	REC.	DATE
1				4			
2				5			
3				6			
DRAWN & DRAFTED		LIU WEI QIANG		TOLERANCES		ANGLE: ±1°	
CHECKED & APPROVED BY		MA BU JIAN		0<L<4 ±0.1 pin pitch		TITLE: RM-7 (5P)	
				4<L<16 ±0.2		BOBBIN MATERIAL: PM-9820	
				16<L<63 ±0.3 ±0.2		UL REC. UL 94V-0	
				UNIT: MM		PIN MATERIAL: CP WIRE	
				SCALE:		PIN TENSION LOAD: 0.9KG MIN	
		智信电子塑胶有限公司 ZHI XIN ELECTRONICS PLASTIC CO., LTD. TEL: 0769-86389901-2 FAX: 0769-86389903				DATE: 2016. 03. 21	
						DRAWING NO. ZX-7A	
						REV. A01	