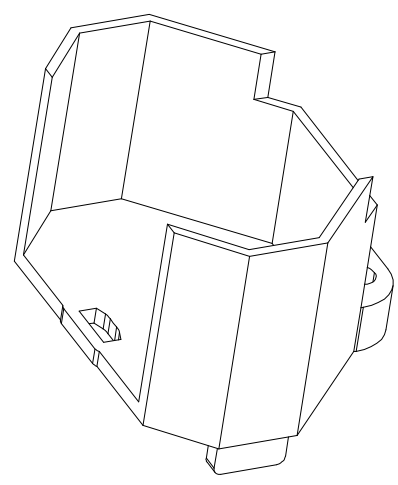
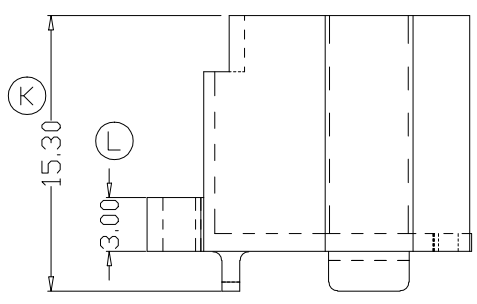
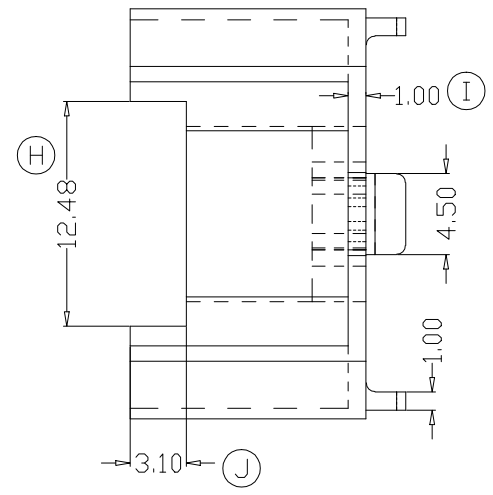
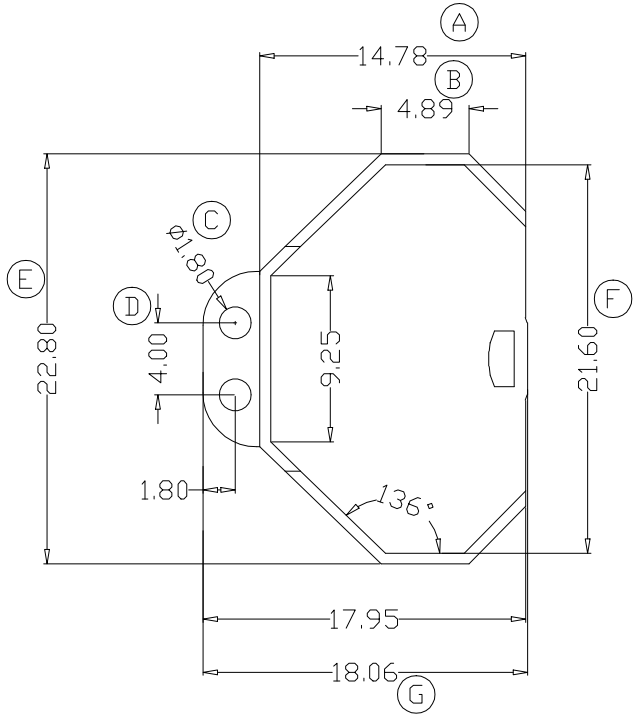


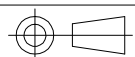
# ZX-7A1



REV.	REVISIONS REC.	DATE	REV.	REVISIONS REC.	DATE
1			4		
2			5		
3			6		
DRAWN & DRAFTED		LIU WEI QIANG		TITLE: CASE	
CHECKED & APPROVED BY		MA BU JIAN		BOBBIN MATERIAL: PM-9820	
		SCALE:		UL REC. UL 94V-0	
		DATE: 2016.03.21		PIN MATERIAL: CP WIRE	
		DRAWING NO. ZX-7A1		PIN TENSION LOAD: 0.9KG MIN	
		REV. A01			



智信电子塑胶有限公司  
 ZHI XIN ELECTRONICS PLASTIC CO., LTD.  
 TEL: 0769-86389901-2 FAX: 0769-86389903



DATE: 2016.03.21

DRAWING NO. ZX-7A1

REV. A01