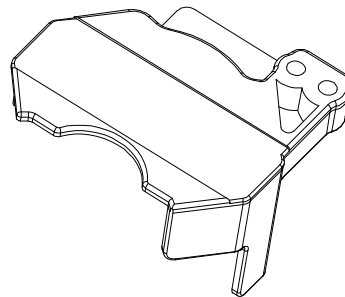
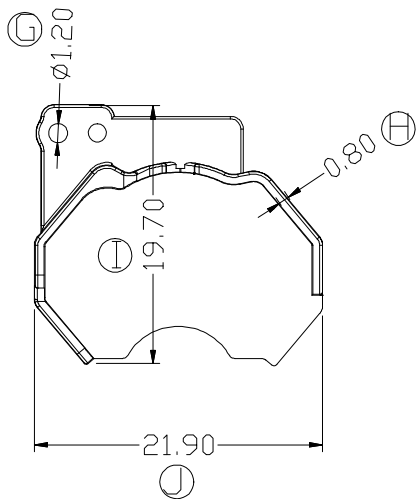
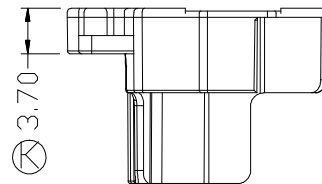
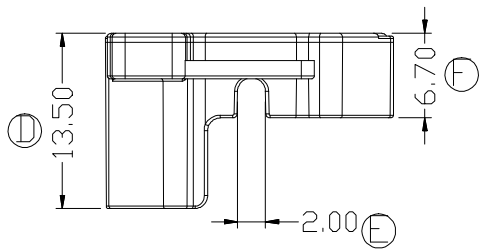
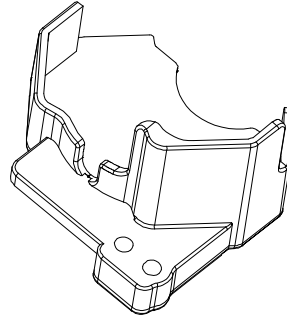
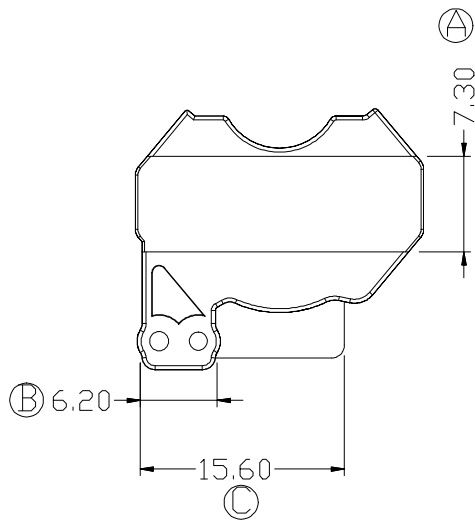

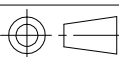


ZX-7D1



REV.	REVISIONS REC.		DATE	REV.	REVISIONS REC.		DATE		
1				4					
2				5					
3				6					
DRAWN & DRAFTED BY		LIU WEI QIANG		TOLERANCES		ANGLE: $\pm 1^\circ$		TITLE: RM7.5外壳	
CHECKED & APPROVED BY		ZHANG YONG		$0 < L \leq 4 \pm 0.1$ $4 < L \leq 16 \pm 0.2$ $16 < L \leq 63 \pm 0.3$		pin pitch ± 0.2		UNIT: MM	
				BOBBIN MATERIAL: PLASTIC		UL REC. UL 94V-0		PIN TENSION LOAD:	
				SCALE:		PIN MATERIAL:		DATE: 2018.12.08	
 智信电子塑胶有限公司 ZHI XIN ELECTRONICS PLASTIC CO., LTD. TEL:0769-86389901-2 FAX:0769-86389903						DRAWING NO. ZX-7D1		REV. A01	