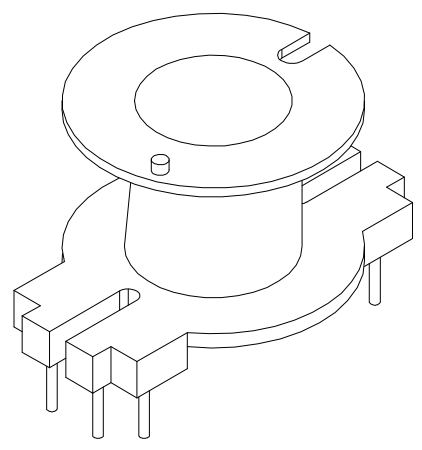
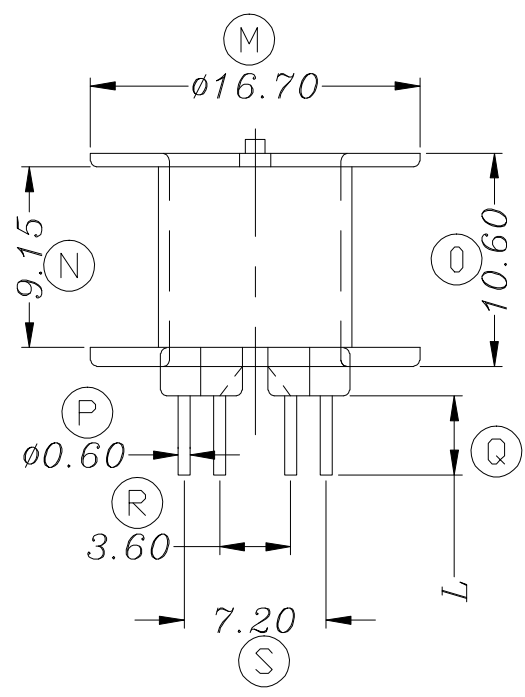
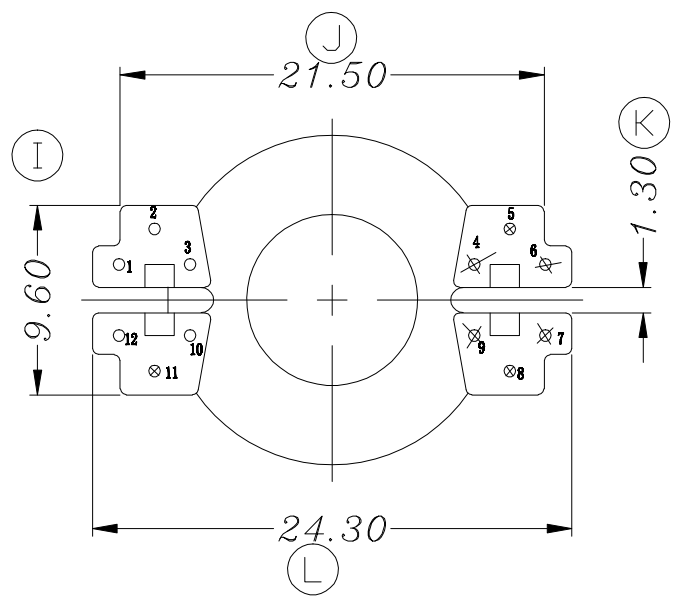
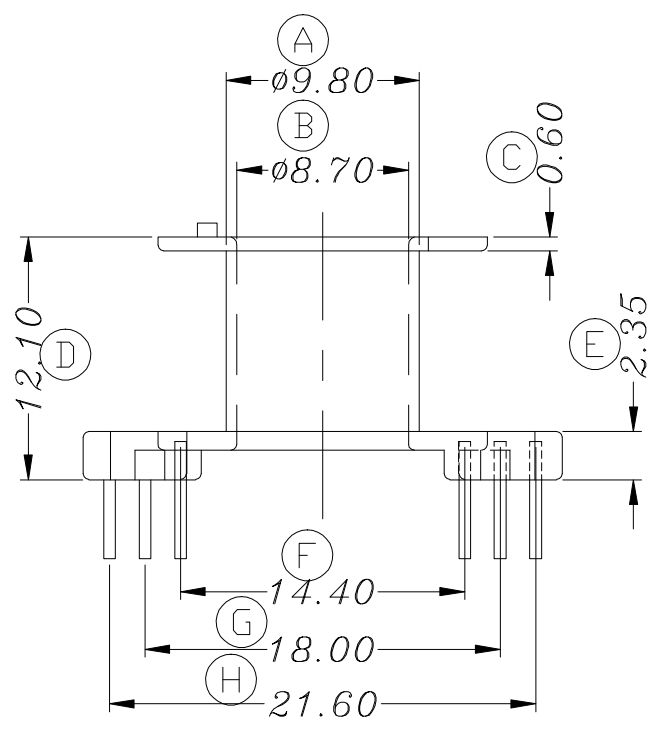


ZX-8A



REV.	REVISIONS	REC.	DATE	REV.	REVISIONS	REC.	DATE
1	(D) 此尺寸变更前12.30变更后12.10	16.03.07		4			
2	(Q) 此尺寸变更前10.80变更后10.60	16.03.07		5			
3				6			
DRAWN & DRAFTED BY		LIU WEI QIANG		TITLE:		RM-8(6+6P)	
CHECKED & APPROVED BY		MA BU JIAN		ANGLE:	$\pm 1^\circ$		
		TOLERANCES		UNIT:	MM		
		0 < L ≤ 4 ±0.1		BOBBIN MATERIAL:	PHENOLIC		UL REC.
		4 < L ≤ 16 ±0.2		PIN MATERIAL:	CP WIRE		UL 94V-0
		16 < L ≤ 63 ±0.3		SCALE:			PIN TENSION LOAD:
		pin pitch ±0.2		DATE:	2011.03.08		0.9KG MIN
				DRAWING NO.	ZX-8A		REV.
							A01