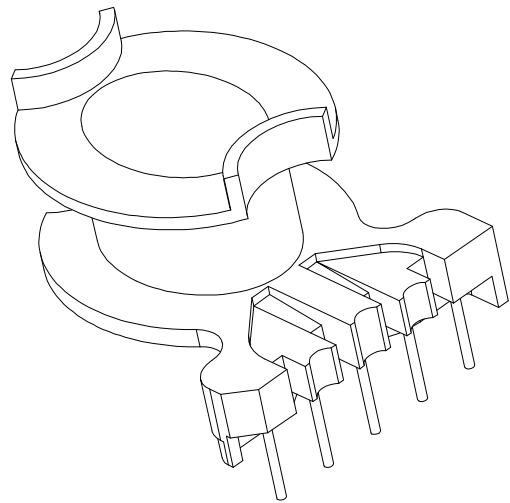
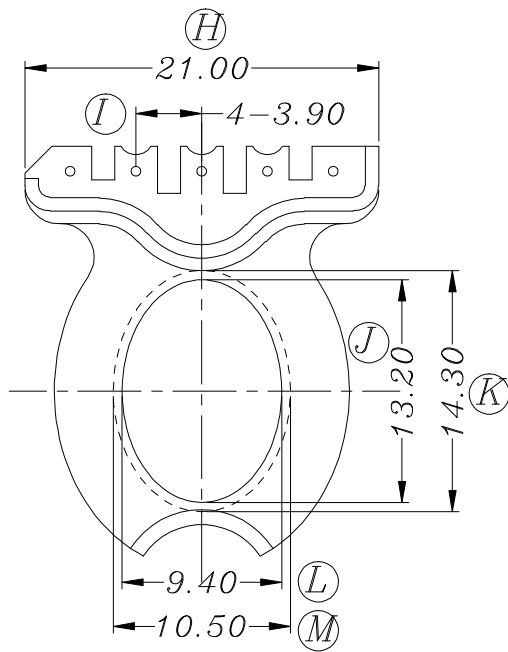
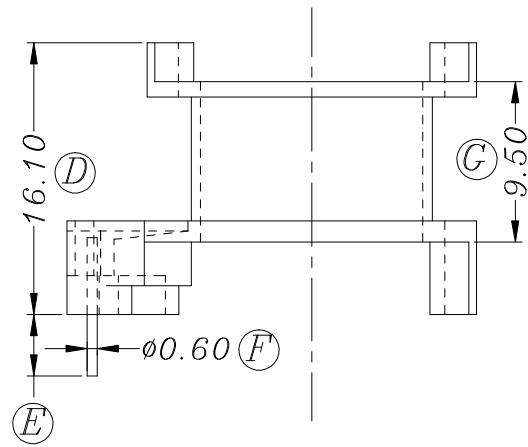
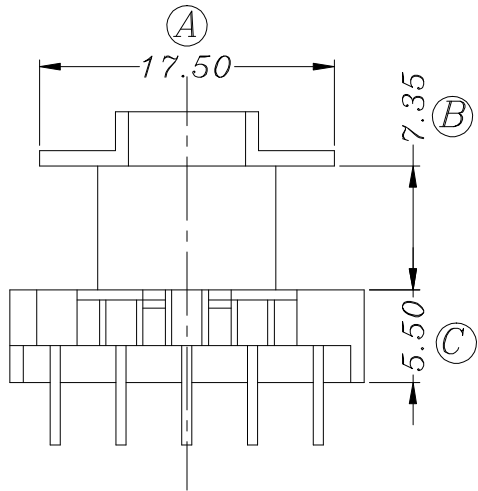


ZX-8I



| REV. | REVISIONS REC. | | DATE | REV. | REVISIONS REC. | | DATE |
|---|----------------|-------------------|------|--------------------------|----------------|----------------------------------|------|
| 1 | | | | 4 | | | |
| 2 | | | | 5 | | | |
| 3 | | | | 6 | | | |
| DRAWN & DRAFTED BY | | LIU WEI QIANG | | TOLERANCES | | ANGLE: $\pm 1^\circ$ | |
| CHECKED & APPROVED BY | | MA BU JIAN | | pin pitch ± 0.2 | | TITLE: RM-8(5P) | |
| | | 0 < L ≤ 4 ± 0.1 | | UNIT: MM | | BOBBIN MATERIAL: PHENOLIC | |
| | | 4 < L ≤ 16 ± 0.2 | | SCALE: | | UL REC. UL 94V-0 | |
| | | 16 < L ≤ 63 ± 0.3 | | PIN MATERIAL: CP WIRE | | PIN TENSION LOAD: 1.0KG MIN | |
| 智信电子塑胶有限公司 ZHI XIN ELECTRONICS PLASTIC CO., LTD. TEL:0769-86389901-2 FAX:0769-86389903 | | DATE: 2007.05.07 | | DRAWING NO. ZX-8I | | REV. A01 | |