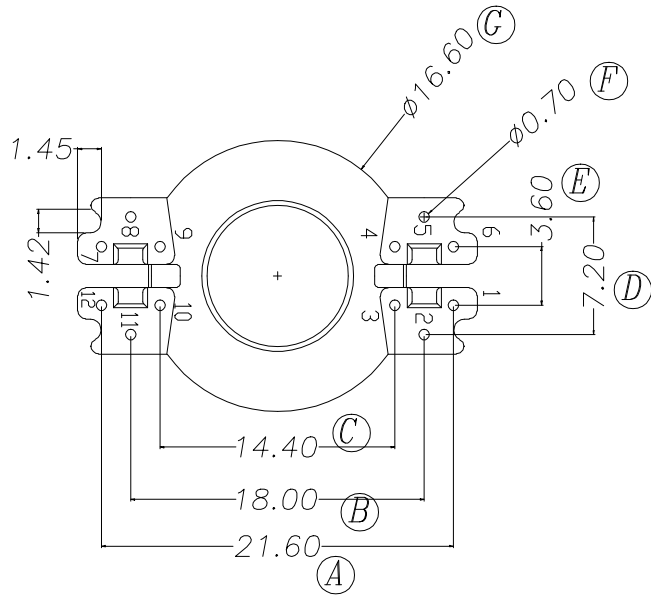
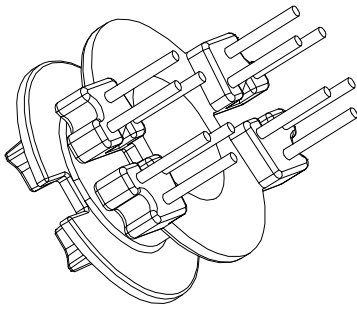
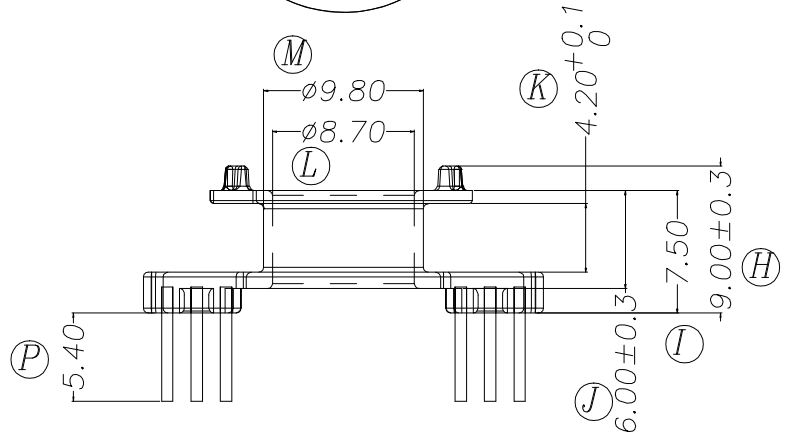
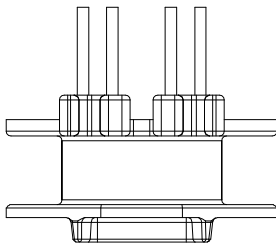
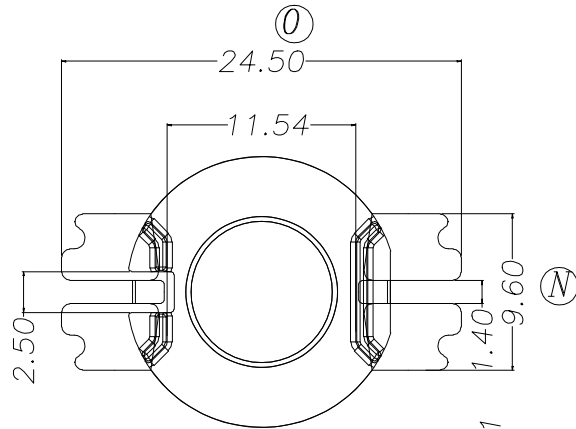
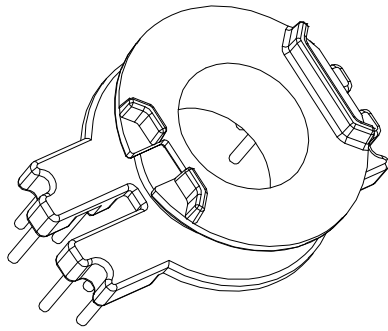


ZX-8M



REV.	REVISIONS		REC.			
1				4		
2				5		
3				6		
DRAWN & DRAFTED BY		LIU WEI QIANG		TOLERANCES		ANGLE: $\pm 1^\circ$
CHECKED & APPROVED BY		LI QI YI		0 < L ≤ 4	± 0.1	pin pitch ± 0.2
				4 < L ≤ 16	± 0.2	
				16 < L ≤ 63	± 0.3	
智信电子塑胶有限公司 ZHI XIN ELECTRONICS PLASTIC CO., LTD. TEL: 0769-86389901-2 FAX: 0769-86389903				UNIT: MM	SCALE:	TITLE: RM-8 (6+6P)
				BOBBIN MATERIAL:	PHENOLIC	UL REC. UL 94V-0
				PIN MATERIAL:	CP WIRE	PIN TENSION LOAD: 0.9KG MIN
				DATE: 2017.12.14	DRAWING NO. ZX-8M	REV. A01