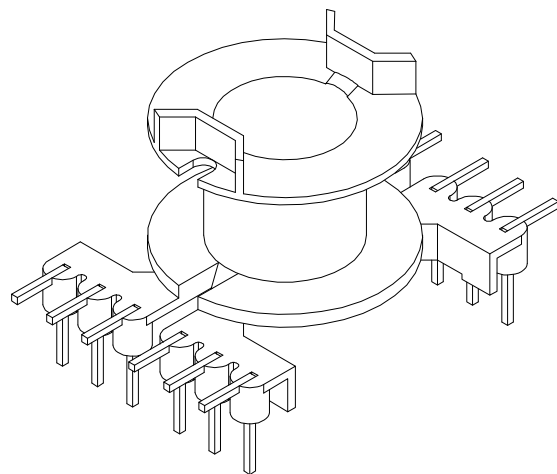
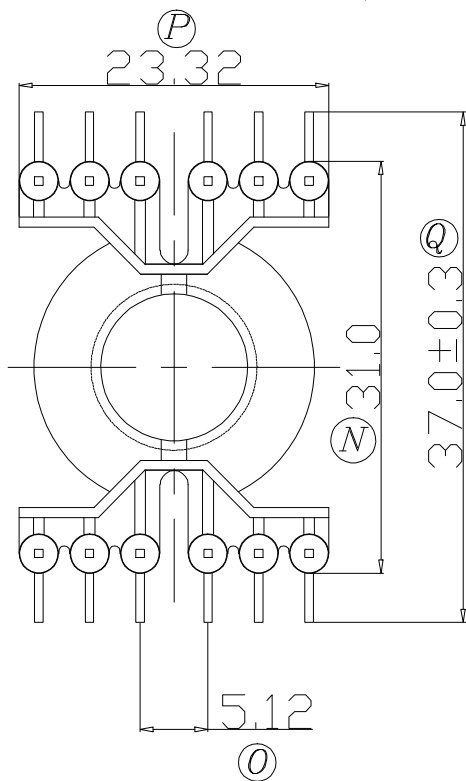
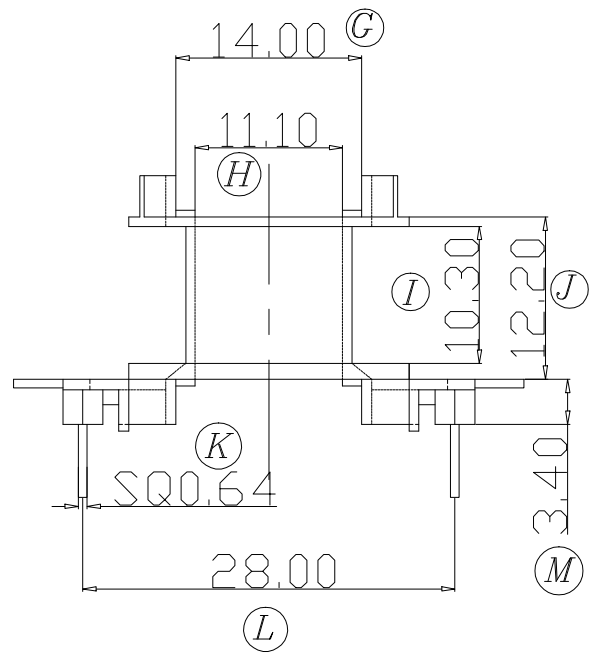
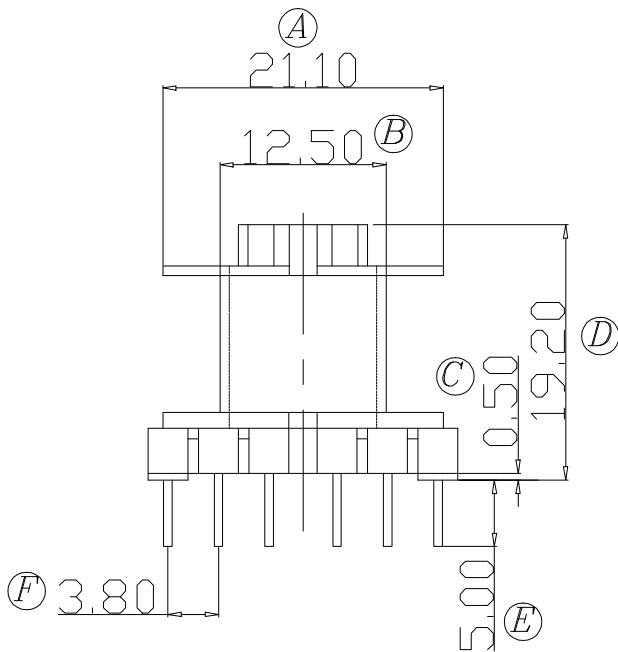


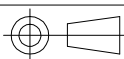
ZX-10A



REV.	REVISIONS REC.	DATE	REV.	REVISIONS REC.	DATE
1	(K) 变更前SQ0.64 变更后SQ0.60日期16.03.01		4		
2			5		
3			6		
DRAWN & DRAFTED BY		LIU WEI QIANG	TOLERANCES		ANGLE:
CHECKED & APPROVED BY		MA BU JIAN	$0 < L \leq 4 \pm 0.1$ $4 < L \leq 16 \pm 0.2$ $16 < L \leq 63 \pm 0.3$		$\pm 1^\circ$ UNIT: MM SCALE:
TITLE:		RM-10(6+6P)			
BOBBIN MATERIAL:		PET	UL REC.		UL 94V-0
PIN MATERIAL:		CP WIRE	PIN TENSION LOAD:		0.8kg MIN.
DATE:		2004.09.14	DRAWING NO.		ZX-10A
REV.		A02			



智信电子塑胶有限公司
 ZHI XIN ELECTRONICS PLASTIC CO., LTD.
 TEL:0769-86389901-2 FAX:0769-86389903



DATE: 2004.09.14

DRAWING NO. ZX-10A

REV. A02