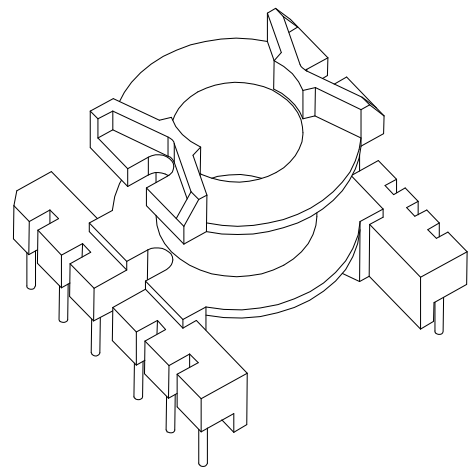
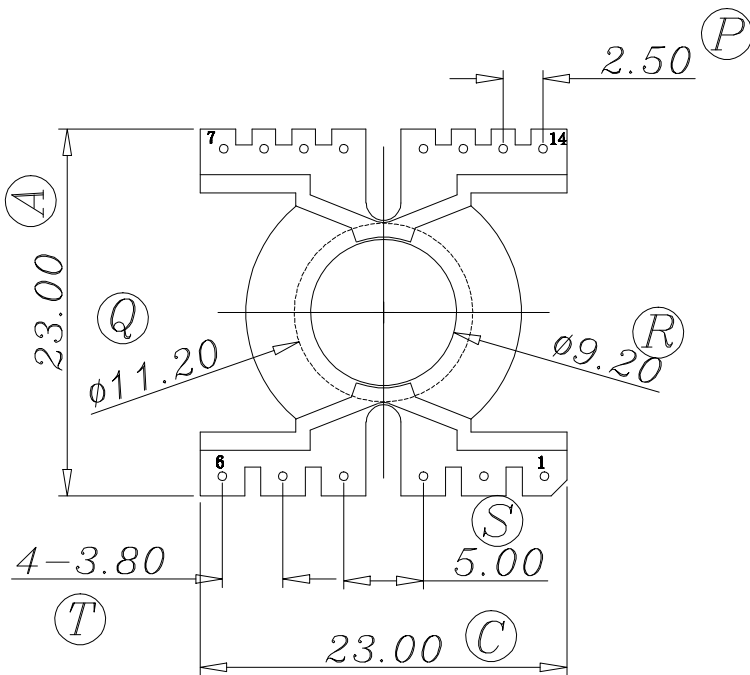
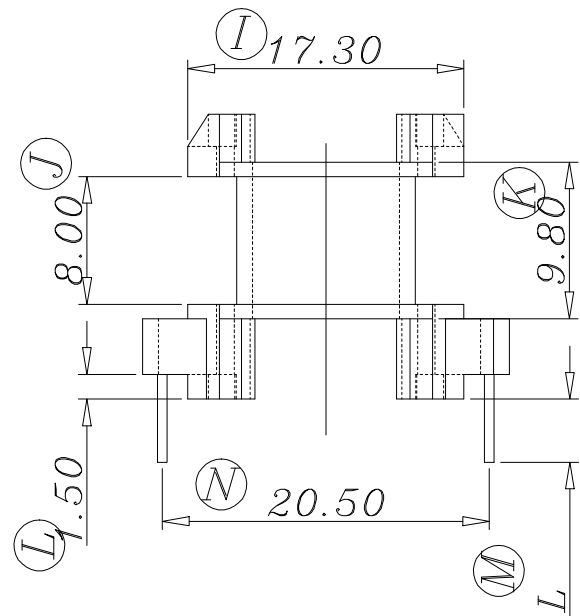
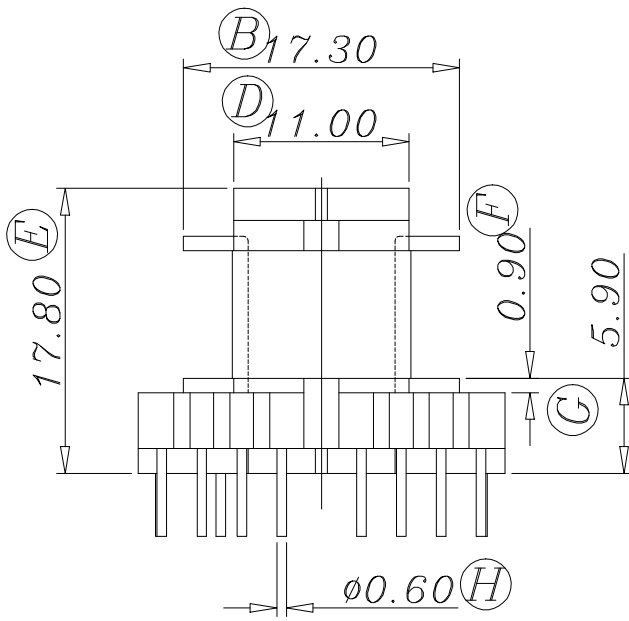


# ZX-20AB



REV.	REVISIONS REC.		DATE	REV.	REVISIONS REC.		DATE
1				4			
2				5			
3				6			
DRAWN & DRAFTED BY		LIU WEI QIANG	TOLERANCES		ANGLE:	TITLE:	
CHECKED & APPROVED BY		MA BU JIAN	$0 < L \leq 4 \pm 0.1$ $4 < L \leq 16 \pm 0.2$ $16 < L \leq 63 \pm 0.3$	pin pitch $\pm 0.2$	$\pm 1^\circ$	PQ-20(6+8P)	
			UNIT:	MM	BOBBIN MATERIAL:	PHENOLIC	UL REC. UL 94V-0
			SCALE:		PIN MATERIAL:	CP WIRE	PIN TENSION LOAD: 1.0kg MIN.
<b>智信电子塑胶有限公司</b> ZHI XIN ELECTRONICS PLASTIC CO., LTD. TEL:0769-86389901-2 FAX:0769-86389903					DATE:	2006.08.18	DRAWING NO. ZX-20AB
						REV. A01	