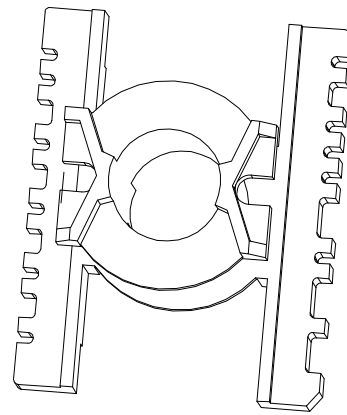
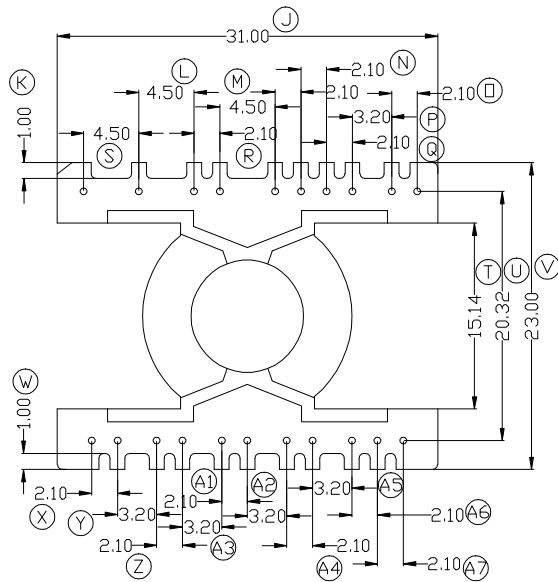
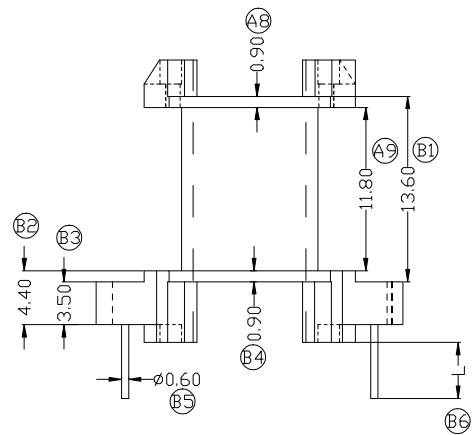
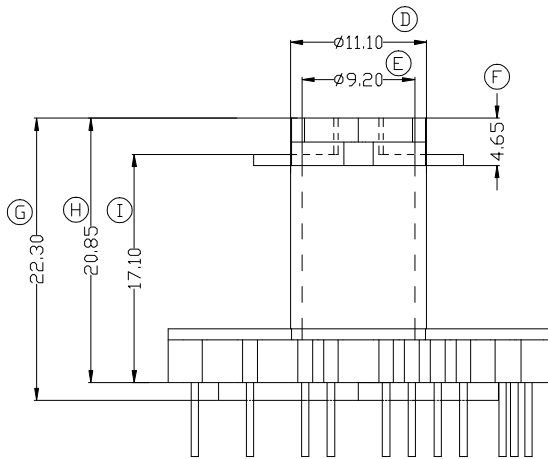
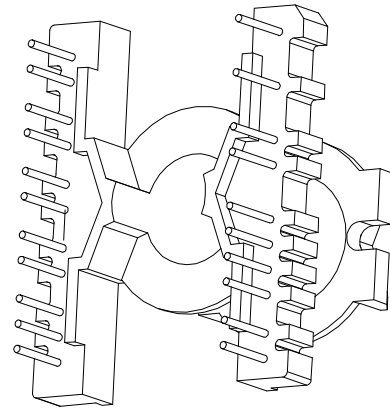
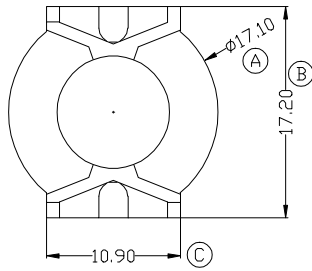


# ZX-20BV



REV.	REVISIONS REC.		DATE	REV.	REVISIONS REC.		DATE
1				4			
2				5			
3				6			
DRAWN & DRAFTED BY		LIU WEI QIANG	TOLERANCES		ANGLE: $\pm 1^\circ$		TITLE: PQ-2020(11+10P)
CHECKED & APPROVED BY		MABUJIAN	$0 < L \leq 4 \pm 0.1$ $4 < L \leq 16 \pm 0.2$ $16 < L \leq 63 \pm 0.3$		UNIT: MM		BOBBIN MATERIAL: PM-9820
			pin pitch $\pm 0.2$				UL REC. UL 94V-0
					SCALE:		PIN MATERIAL: CP WIRE
					DATE: 2014.08.11		PIN TENSION LOAD: 1.0kg MIN.
					DRAWING NO. ZX-20BV		REV. A01



**智信电子塑胶有限公司**  
**ZHI XIN ELECTRONICS PLASTIC CO., LTD.**  
 TEL:0769-86389901-2 FAX:0769-86389903

