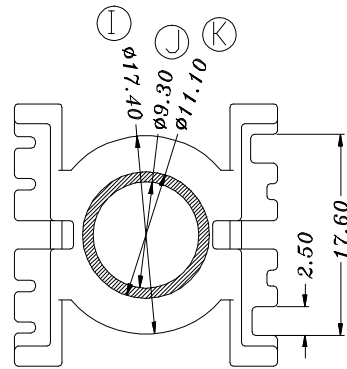
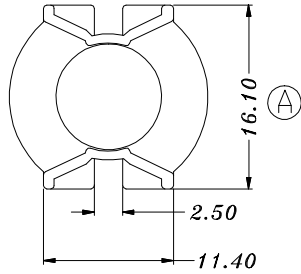
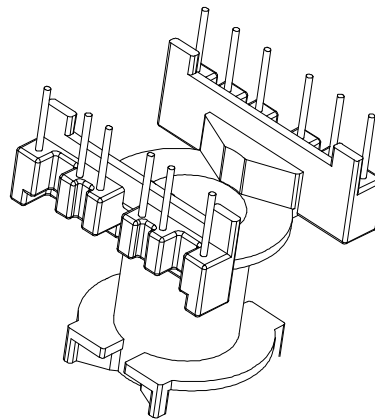
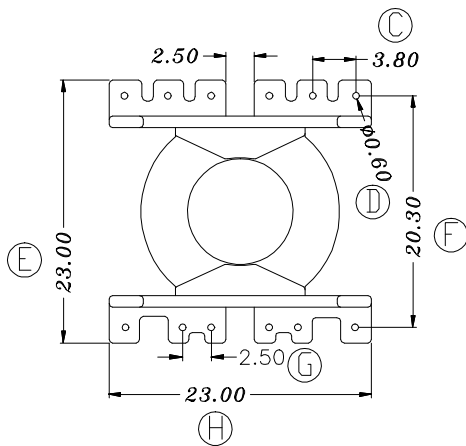
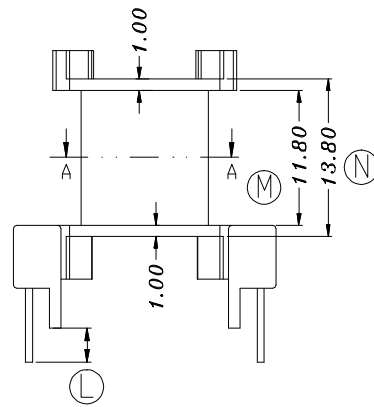
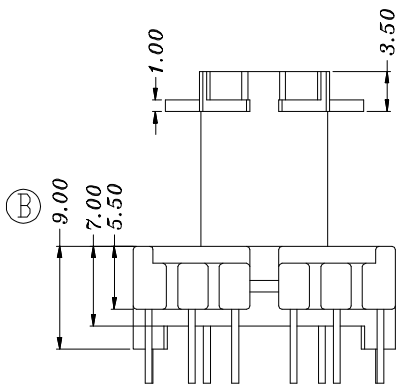


ZX-20CC



SECTION A-A



REV.	REVISIONS	REC.	DATE	REV.	REVISIONS	REC.	DATE
1				4			
2				5			
3				6			
DRAWN & DRAFTED BY	LIU WEI QIANG		TOLERANCES	ANGLE:	TITLE: PQ-2020(6+6P)		
CHECKED & APPROVED BY	ZHANG YONG		0<L≤4 ±0.1 4<L≤16 ±0.2 16<L≤63 ±0.3	UNIT:	BOBBIN MATERIAL:	UL REC. UL 94V-0	
			pin pitch ±0.2	MM	PLASTIC		
				SCALE:	PIN MATERIAL:	PIN TENSION LOAD: 1.0KG MIN	
					CP WIRE		
					DATE: 2018.12.08	DRAWING NO. ZX-20CC	REV. A01



智信电子塑胶有限公司
ZHI XIN ELECTRONICS PLASTIC CO., LTD.
TEL:0769-86389901-2 FAX:0769-86389903

