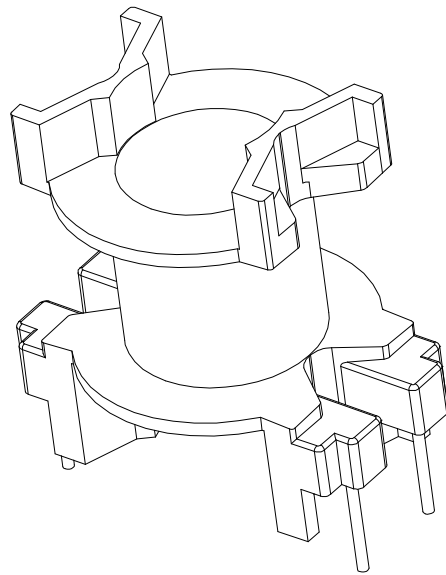
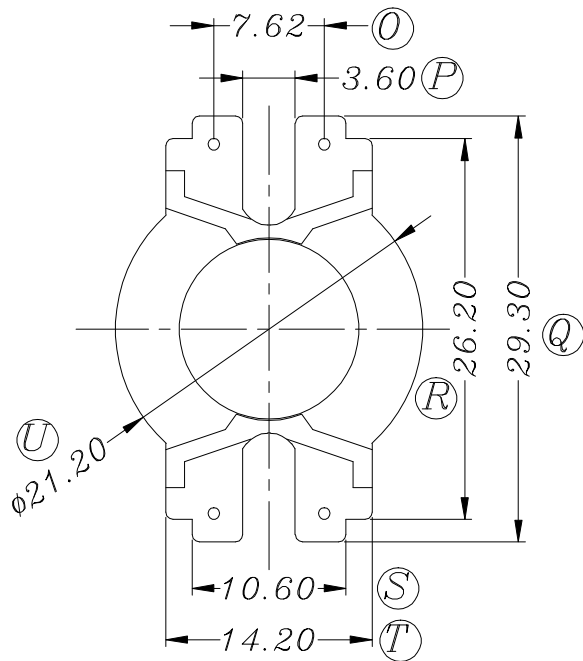
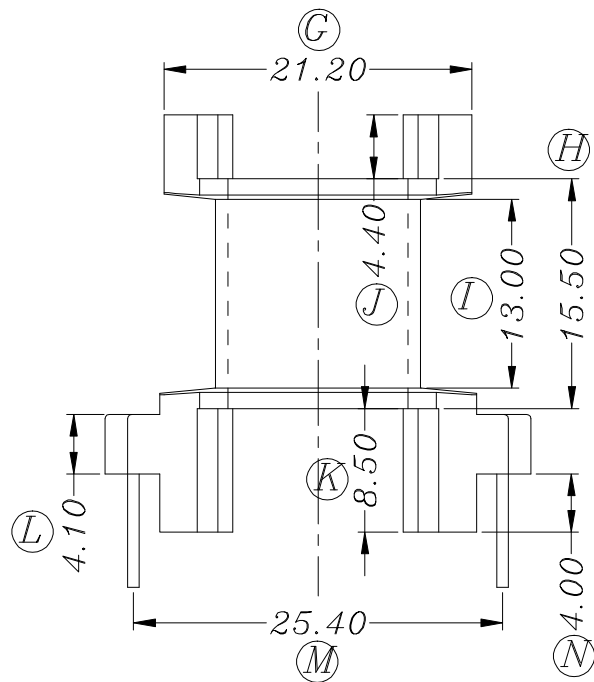
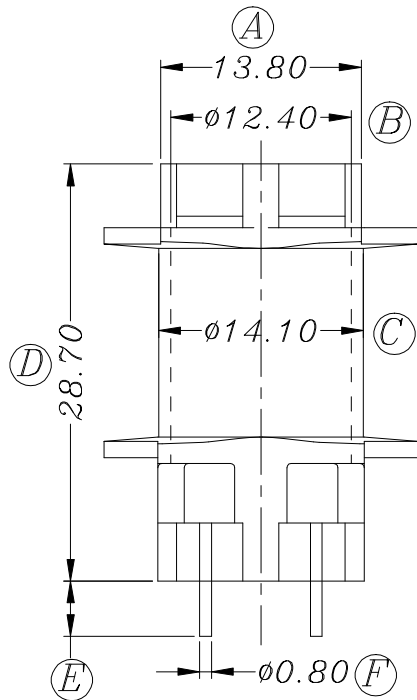


# ZX-26K



REV.	REVISIONS REC.		DATE	REV.	REVISIONS REC.		DATE
1				4			
2				5			
3				6			
DRAWN & DRAFTED BY	LIU WEI QIANG	TOLERANCES		ANGLE:	TITLE: <b>PQ-2625 (2+2P)</b>		
CHECKED & APPROVED BY	MA BU JIAN	0 < L ≤ 4 ±0.1	pin pitch	±1°	BOBBIN MATERIAL:	UL REC. UL 94V-0	
		4 < L ≤ 16 ±0.2	±0.2	UNIT:	<b>PHENOLIC</b>		
		16 < L ≤ 63 ±0.3		MM	PIN MATERIAL:	CP WIRE	
				SCALE:	DATE:	DRAWING NO.	PIN TENSION LOAD:
					2006.11.14	ZX-26K	1.5kg MIN.
<b>智信电子塑胶有限公司</b> ZHI XIN ELECTRONICS PLASTIC CO., LTD. TEL:0769-86389901-2 FAX:0769-86389903							REV. A01