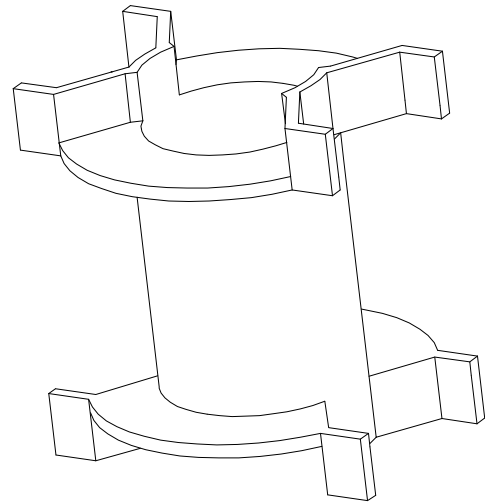
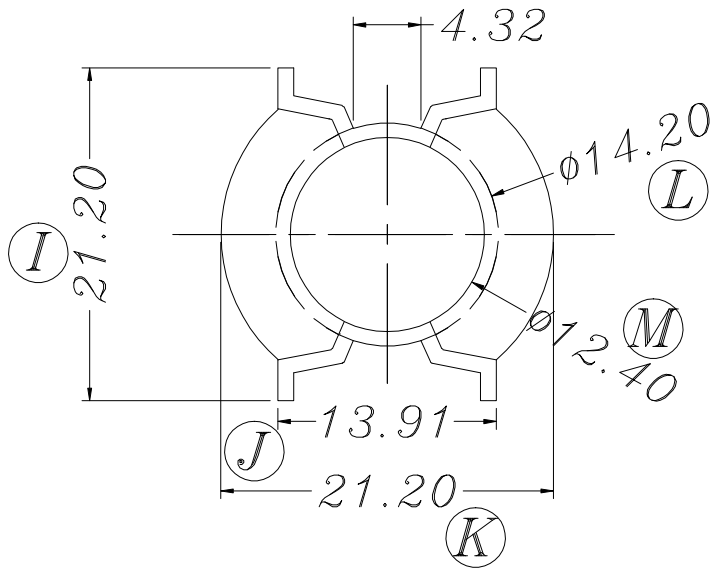
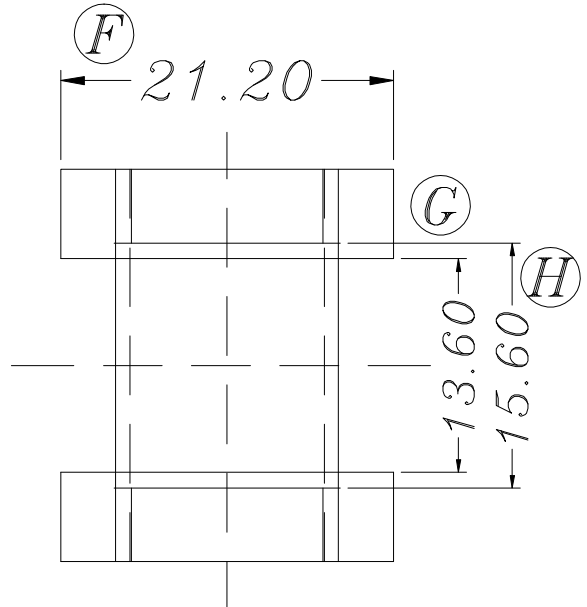
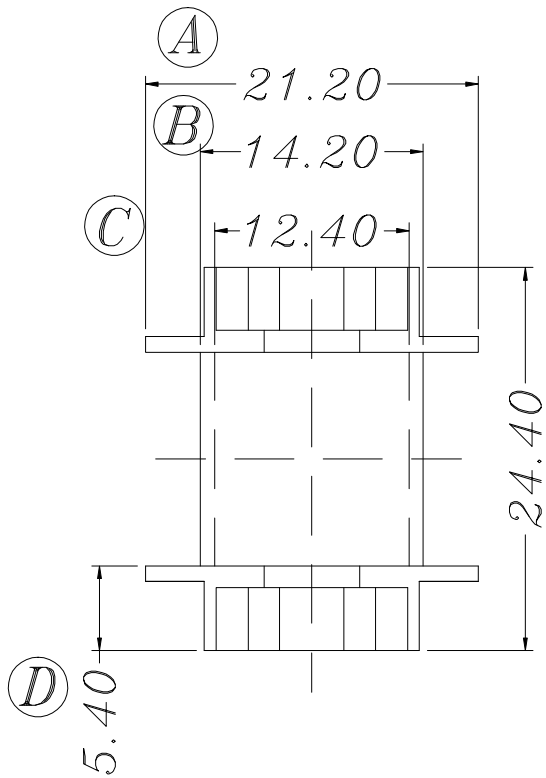


ZX-26L



REV.	REVISIONS REC.		DATE	REV.	REVISIONS REC.		DATE
1				4			
2				5			
3				6			
DRAWN & DRAFTED BY		LIU WEI QIANG		TOLERANCES		ANGLE: $\pm 1^\circ$	
CHECKED & APPROVED BY		MA BU JIAN		$0 < L \leq 4 \pm 0.1$ $4 < L \leq 16 \pm 0.2$ $16 < L \leq 63 \pm 0.3$		UNIT: MM SCALE:	
<b>智信电子塑胶有限公司</b> ZHI XIN ELECTRONICS PLASTIC CO., LTD. TEL:0769-86389901-2 FAX:0769-86389903				TITLE: <b>PQ-2625</b> BOBBIN MATERIAL: <b>PHENOLIC</b> PIN MATERIAL:		UL REC. UL 94V-0 PIN TENSION LOAD:	
				DATE: 2006.09.14		DRAWING NO. ZX-26L	
						REV. A01	