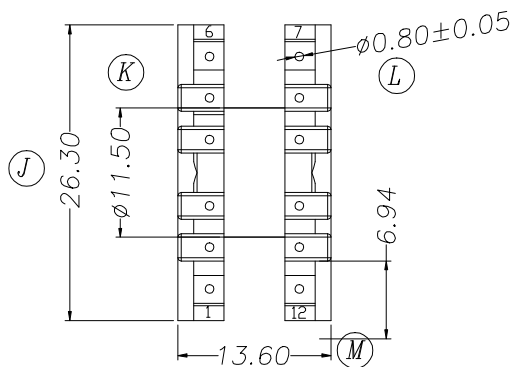
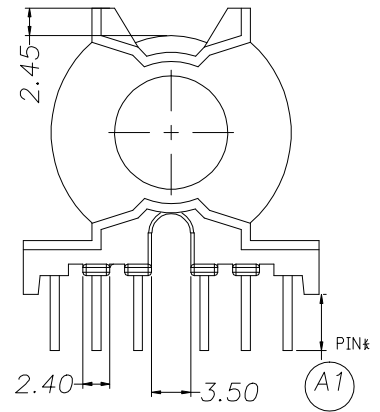
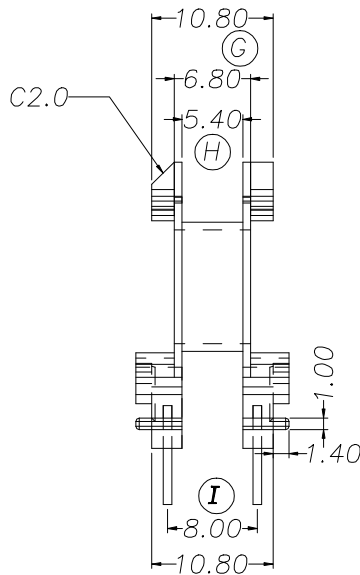
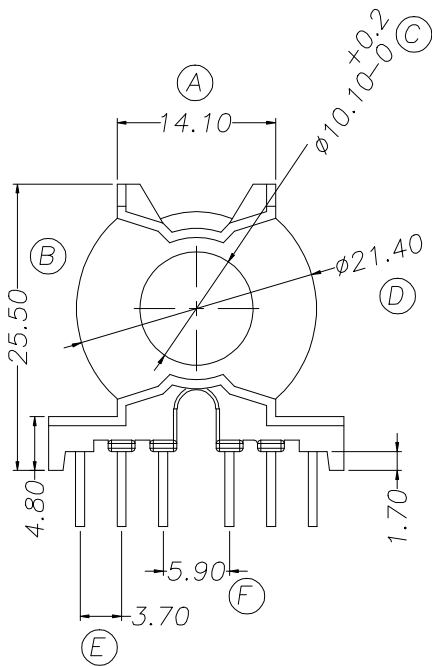
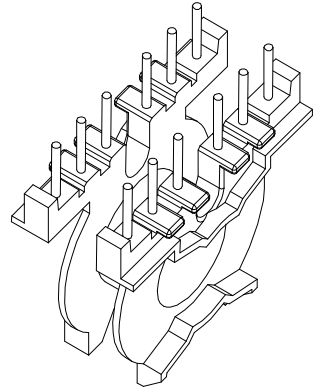
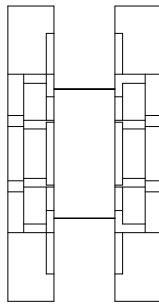
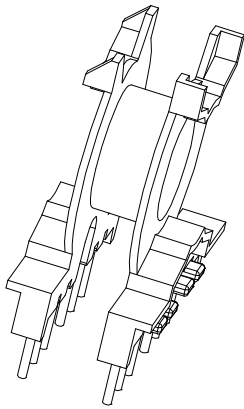


ZX-26P



REV.	REVISIONS		REC.			
1					4	
2					5	
3					6	
DRAWN & DRAFTED BY		LIU WEI QIANG		TOLERANCES		ANGLE: ±1°
CHECKED & APPROVED BY		LI QI YI		0<L≤4 ±0.1	TOLERANCE OF PIN DIA ±0.05	TITLE: PQ-2617(6+6P)
				4<L≤16 ±0.2		UNIT: MM
				16<L≤63 ±0.3		UL REC. UL 94V-0
						PIN MATERIAL: CP WIRE
						PIN TENSION LOAD: 1.5KG MIN
						DATE: 2017.12.06
						DRAWING NO. ZX-26P
						REV. A01

ZXE 智信电子塑胶有限公司
 ZHI XIN ELECTRONICS PLASTIC CO., LTD.
 TEL:0769-86389901-2 FAX:0769-86389903

